

# SB 101

*Materials Properties Specialist*

## CERTIFICATION/TRAINING PROGRAM MANUAL



**Partners  
in Quality**





The Hot Mix Asphalt Center exists to certify, train, and equip specialists with the knowledge and skills needed to inspect, test, and design construction materials. Through education and support that continue beyond certification, the HMACE seeks to help people realize their potential to contribute to the future of Texas' infrastructure.

To execute our mission, we constantly aim to:

**EDUCATE**

Through hands-on learning, training, and testing, our instructors ensure specialists not only have a thorough understanding of the subject, but will be able to apply what they've learned in a real-world setting. We believe our role as an educational resource doesn't stop at the door – it continues throughout a specialist's career.

**INNOVATE**

From installing the latest, cutting-edge equipment in our labs to streamlining processes and developing new educational tools, we strive to continuously set a higher bar for ourselves and those around us.

**EMPOWER**

We believe in the potential of every specialist who comes through the center and do all we can to help them be successful before, during, and after certification. Our mantra is that what you do matters. If you put in the work to be the best you can be, we'll be here to cheer you on and support you along the way.

**SERVE**

Service is at the core of everything we do. Whether it be for individuals, companies, TxDOT, or the traveling public, the goal is for every certification to result in improved quality of asphalt pavements across the state of Texas.



# SB101 Materials Properties Specialist

## TABLE OF CONTENTS

Rights and Responsibilities

Website

Tex-100-E Surveying and Sampling Soils for Highways

Tex-101-E Preparing Soil and Flexible Base Materials for Testing (Parts 1 & 2)

Tex-103-F Moisture Content of Soils and Base Materials

Tex-104-E Determining Liquid Limits of Soils

Tex-105-E Determining Plastic Limit of Soils

Tex-106-E Calculating the Plastic Index of Soils

Tex-107-E Determining the Bar Linear Shrinkage of Soils

Tex-110-E Sieve Analysis of Soils and Base Materials (Part 1)

Tex-111-E Determining Amount of Material in Soils Finer than the 75 $\mu$ m (No. 200) Sieve

Tex-116-E Ball Mill Method for Determining Disintegration of Flex Base Materials

Tex-142-E Laboratory Classification of Soils for Engineering Purposes

Tex-400-A Sampling Aggregate and Stone Riprap

Tex-600-J Sampling and Testing Lime (Part 1)

Item 247 Flexible Base

©2023 HMAC - All Rights Reserved

No part of this publication may be reproduced, stored in a retrieval system or transmitted in any form or by any means, mechanical, electronic, photocopying, recording or otherwise without the prior written permission of the Texas Asphalt Pavement Association.



## HMAC CERTIFIED SPECIALIST & APPLICANTS FOR CERTIFICATION: RIGHTS AND RESPONSIBILITIES

This agreement (the "Agreement") affirms that, \_\_\_\_\_, the below Applicant for Certification or the current Certified Specialist (collectively, the "Specialist") seeks to meet or has successfully met the requirements for certification by the Texas Asphalt Pavement Association ("TXAPA"), a/k/a the Hot Mix Asphalt Center (HMAC) as a certified technician. In that connection, the Specialist agrees as follows:

**RIGHTS AND RESPONSIBILITIES** - HMAC certification includes the exclusive right to perform certified sampling, testing and reporting on Texas Department of Transportation (TxDOT) projects involving Hot Mix Asphalt (HMA) and Soils & Base (SB) in accordance with TxDOT specifications and test procedures (as may be amended by TxDOT from time to time) for the level of certification issued. Specialists are required to perform and report test results with the accuracy and precision required of a certificated HMA or SB Specialist. It is important that the Specialist fully understands the significance of performing these duties in accordance with the certification level received by the Specialist.

Each Specialist is responsible for performing their own independent sampling, testing and reporting in accordance with TxDOT specifications, test procedures and standard operating procedures. These duties must be performed in a diligent and professional manner to produce TxDOT projects of the highest possible quality.

**CONTACT INFORMATION** - It is the Specialist's responsibility to provide the HMAC with current contact information by logging into [www.txhmac.org](http://www.txhmac.org). Communications from the HMAC will primarily be sent electronically to the most recent contact information provided by the Specialist.

**ANNUAL PROFICIENCY** - Once certified, Specialists are required to complete annual proficiency testing and the reporting of results to the HMAC. The testing and reporting must be timely and independently performed by the Specialist and, where applicable, in conformance with the requirements of the Specialist's certifications. TxDOT will ship the annual proficiency samples to the Specialist's address of record. (If this address is not current, the Specialist may not timely receive a proficiency sample and his/her certification may be danger of lapsing.)

Failure to submit proficiency test results or to respond to low rating(s) by the appointed deadlines may result in a change of certification status from active to inactive. Specialists whose certifications are inactivated because their annual proficiency testing/reporting is not current or whose certifications have been revoked or inactivated are prohibited from performing the duties associated with all certifications held by that Specialist.

**RECERTIFICATION** - Certification(s) are valid for three (3) years from the date originally issued, after which the Specialist must be recertified by again passing the requirements for certification. Specialists may seek recertification up to one year prior to the expiration of their certificate(s).

Failure to timely obtain recertification will cause all dependent certifications held by a Specialist to be inactivated. It is the Specialist's responsibility to maintain an active certification(s). (The HMAC will not provide reminders of pending expiration dates.)

**ALLEGATIONS OF MISCONDUCT** - Allegations of misconduct should be submitted to the HMAC, P.O. Box 1468, Buda, TX 78610 and must include the name, address and signature of the individual asserting the allegations as well as a brief description of the allegations.

If the allegations are properly submitted and appear to have merit, the HMAC Steering Committee (the "Committee") the individual asserting misfeasance and the person so accused will be asked to meet in person (but at separate dates/times) with members of the Committee. At the conclusion of the meeting(s), the Committee will issue its determination.

Misconduct generally consists of (i) neglect, (ii) abuse and/or (iii) breach of trust which are generally defined as:

1. Neglect: unintentional deviation(s) from specifications or testing procedures;
2. Abuse: careless or deliberate deviation from specifications or testing procedures; and
3. Breach of Trust: violation of the trust placed in Certified Specialists including, but not limited to, acts such as:
  - a. Falsification of or deliberate omission from material records or information; or
  - b. Awareness of improprieties in sampling, testing and/or production by others and the failure to timely report those improprieties to the appropriate project supervision.

The Committee may issue written reprimands (private or public) and/or revoke or inactivate a certification (if the Specialist has made a false representation or misstatement to the Committee or to the public or has engaged in misconduct) or take such other actions as the Committee, in its sole discretion, determines to be appropriate with respect to the Specialist's certification(s).

Specialists who do not achieve recertification or whose certification is revoked or inactivated by the Committee may appeal to a separate appeals committee comprised of industry members (the "Appeal Committee"). The exhaustion of this right of appeal to the Appeal Committee is a prerequisite to the exclusive remedy of administrative review by final and binding arbitration in Hays County, Texas, as administered by the American Arbitration Association by a single-member panel. Any and all other claims related in any way to this Agreement are exclusively subject to final and binding arbitration in Hays County, Texas as administered by the American Arbitration Association by a single-member panel.

In consideration for the HMAC certification/recertification process, Specialist hereby waives any and all claims of whatsoever kind or character related, directly or indirectly, to this Agreement, against the TXAPA, HMAC (including, but not limited to, the Committee and the Appeal Committee and their members), that s/he may have (including claims for attorney's fees) and further agrees to save, indemnify and hold TXAPA, the HMAC (including, but not limited to, the Committee and the Appeal Committee and their members) harmless from any claim, action or cause of action arising as a result of, or relating to this Agreement including, but not limited to, Specialist's certification, or any refusal, reprimand, revocation and/or suspension of certification or recertification of Specialist.

**ACKNOWLEDGED & AGREED:**

**SPECIALIST:**

\_\_\_\_\_  
**SIGNATURE**

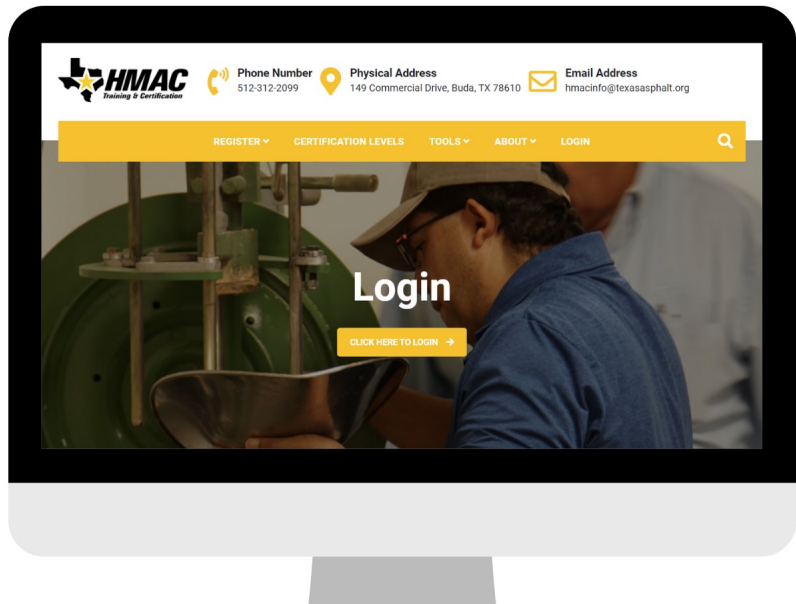
\_\_\_\_\_  
**DATE**

\_\_\_\_\_  
**PRINTED NAME**



# WEBSITE

It is your responsibility to keep your information up-to-date.



# FIRST TIME LOGIN

## ***Username***

Capitalize the first letter of your first and last name then spell out the rest of your last name in lower case, followed by the last 4 digits of your SSN.

## ***Password***

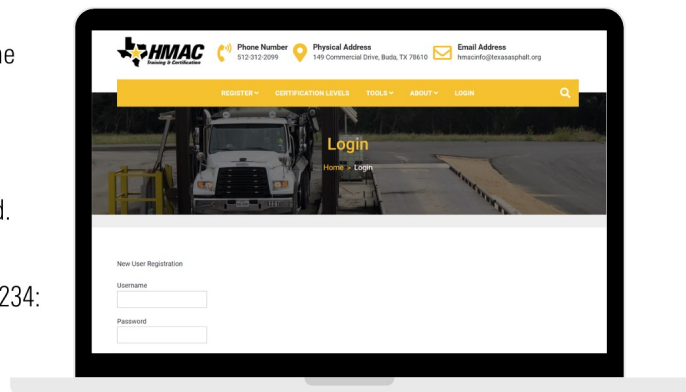
Same as your username, but add a "+" at the end.

## ***Example***

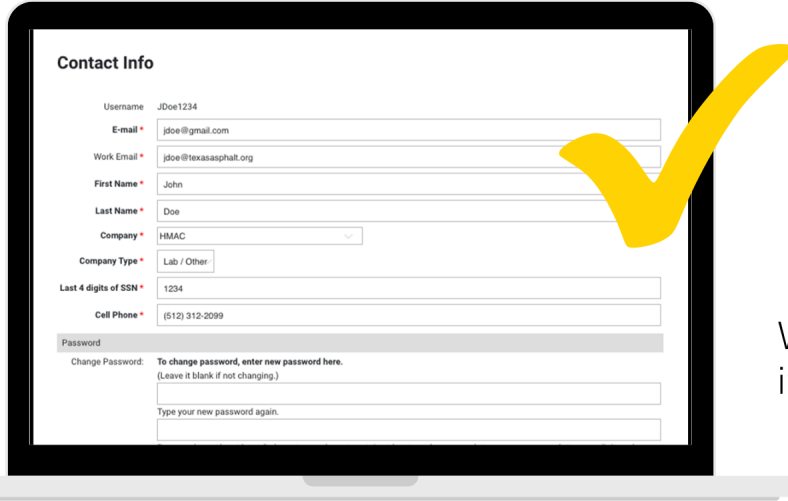
If your name is John Doe and your SSN ends in 1234:

**Username: JDoe1234**

**Password: JDoe1234+**



# UPDATE INFORMATION



**Contact Info**

Username: J.Doe1234

E-mail:

Work Email:

First Name: John

Last Name: Doe

Company:

Company Type:

Last 4 digits of SSN:

Cell Phone:

Password:

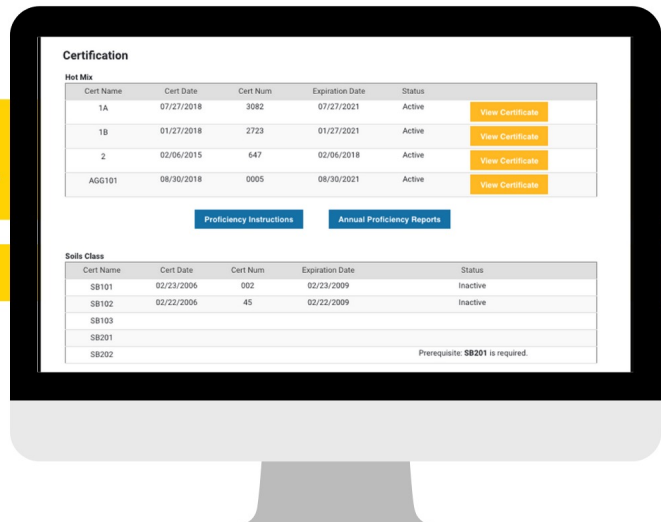
Change Password:  To change password, enter new password here. (Leave it blank if not changing.)

Type your new password again.

Verify that all information is correct.

# UPDATE INFORMATION

**VIEW/PRINT  
CERTIFICATIONS  
PROFICIENCY**



**Certification**

**Hot Mix**

Cert Name	Cert Date	Cert Num	Expiration Date	Status	
1A	07/27/2018	3982	07/27/2021	Active	<a href="#">View Certificate</a>
1B	01/27/2018	2723	01/27/2021	Active	<a href="#">View Certificate</a>
2	02/06/2015	647	02/06/2018	Active	<a href="#">View Certificate</a>
AG6101	08/30/2018	0005	08/30/2021	Active	<a href="#">View Certificate</a>

[Proficiency Instructions](#)   [Annual Proficiency Reports](#)

**Soils Class**

Cert Name	Cert Date	Cert Num	Expiration Date	Status
SB101	02/23/2006	002	02/23/2009	Inactive
SB102	02/23/2006	45	02/22/2009	Inactive
SB103				
SB201				
SB202				

Prerequisite: SB201 is required.

---

**Test Procedure for****SAMPLING SOILS AND FLEXIBLE BASE**

TxDOT Designation: Tex-100-E

**Effective Date: August 2023**

---

**1. SCOPE**

- 1.1 Use this test procedure to sample soils that are used as embankment and non-select backfill materials. Use this procedure to sample flexible base from completed stockpiles and roadway windrows, and for the preparation of the samples for laboratory testing.
  - 1.2 This procedure also provides information to develop a soil survey that may be used for the design, location, and construction of a highway.
  - 1.3 *This test procedure does not claim to address the safety concerns associated with its use. It is the responsibility of the user of this test procedure to establish the appropriate safety, health, and environmental practices and determine the applicability of regulatory limitations before use.*
- 

**2. APPARATUS**

- 2.1 The type and amount of equipment to be used for sampling will depend on the nature of the terrain, the material, and the depth of material below the surface.
    - 2.1.1 Use small hand tools for materials that are shallow in depth and can be easily dug. Power equipment may be used when the materials are hard. Use of a power drill machine with a core or auger attachment may be necessary for sampling strata located at a considerable depth below the surface.
  - 2.2 Containers, jars or plastic bags, capable of being sealed to maintain moisture content.
  - 2.3 Hand tools, such as post hole digger, scoop, shovel, anything small to sample material.
  - 2.4 Measuring tape, steel or plastic.
  - 2.5 Power drill rig, with core or auger attachments.
  - 2.6 Ruler, minimum 6 ft.
  - 2.7 Sample bags or buckets with lids.
  - 2.8 Sample splitter or quartering cloth
  - 2.9 Soil Auger - Screw-type, open tubular, or barrel auger types.
  - 2.10 Square-Tip Shovel
-



---

### 3. SAMPLING EMBANKMENT SOIL AND NON-SELECT BACKFILL

- 3.1 Obtain a representative sample from undisturbed or disturbed material in the same proportion as they exist in the embankment soil or non-select backfill.
- 3.2 Equipment, method, and tools for obtaining a sample will depend on the location, the quantity of material needed, and the tests to be performed in the laboratory.
- 3.3 Samples should contain only materials of like color and texture. They should not be a composite of materials different in character and properties unless different types of materials are to be uniformly mixed in certain proportions.
- 3.4 When sampling for soil that will be treated and road-mixed, ensure to sample to the depth of treatment as shown on the plans.
- 3.5 When coring, obtain a core of soil from the earth with as little disturbance as possible to the natural density and moisture content.
- 3.5.1 It is impossible to obtain a sample from the earth that is entirely undisturbed, because the removal of the surrounding soil releases the pressure from the specimen, which causes a certain amount of disturbance.
- 3.5.2 A soil core is satisfactory for all practical purposes and can be classified as an undisturbed sample of soil.
- 3.6 Seal and label the sample bags, buckets, containers, or jars, and properly secure for transportation to avoid any loss of material.

---

### 4. SAMPLING FLEXIBLE BASE STOCKPILES

- 4.1 Identify four locations around the perimeter of the stockpile that represent the approximate quarter-points of the stockpile.
- 4.1.1 When the locations cannot be obtained from around the entire perimeter due to limited space, use four equally spaced locations.
- 4.2 Clean and level the ground at these four locations to prevent contamination of the sampling pile.
- 4.3 Sample each quarter-point of the stockpile using a front-end loader to cut into each quarter-point.
- 4.4 Cut at the ground level to the top edge of the stockpile until a clean vertical face is exposed that is perpendicular to the top edge of the stockpile. This represents the full height of the stockpile.
- 4.5 Discard this material cut away while exposing the clean face.
- 4.6 Build a sample pad by cutting into the vertical face at the ground level of the full height of the stockpile to obtain material.
- 4.7 Lower the bucket as close as possible to the ground to avoid segregation and empty the entire contents of the bucket onto the ground in one motion.
- 4.8 Using the loader bucket, strike, and level the sample pad at mid-height in the direction the bucket was emptied to create a flat surface for sampling. Back-drag the sampling pad only once.

- 4.9 If material is visually segregated, discard the material and repeat Sections 4.6 to 4.8.
- 4.10 Place clean sample bags or containers near the center of the sampling pad and obtain the sample across the flat area staying more than 1 ft. away from the edges.
- 4.11 Divide the sample pad into four quadrants and sample equal amounts of aggregate evenly across each quadrant.
- 4.12 Fully insert a square-tip shovel as near as vertical as possible and then slowly roll the shovel back and lift slowly to avoid coarse aggregate from rolling off the sides of the shovel.
- 4.12.1 Spade-tip shovels are not allowed for sampling because they will not prevent material from rolling off the side of the shovel.
- 4.13 Obtain additional shovelfuls from different quadrants of the sampling pad, and in areas avoiding previous shovel holes. Remove material from each quadrant to fill one sample bag or container. Minimize loose material falling from the sides of the hole and loss of material from the shovel into the hole or adjacent ground while filling sample bags or containers.
- 4.14 Place the aggregate into the clean sample bags or containers.
- 4.15 Repeat Sections 4.12 to 4.14 until a minimum of 100 lbs. of material is sampled from each sample pad.
- 4.16 Seal and label the sample bags or containers, and properly secure for transportation to avoid any loss of material.
- 4.17 Repeat Sections 4.4 to 4.16 at each stockpile quarter-point to provide a minimum of 400 lbs. of material.
- 4.17.1 The minimum amount of 400 lbs. of sampled material is representative of the entire stockpile. This amount of material is required for a testing laboratory to perform all the required test procedures for stockpile approval.
- 

## 5. SAMPLING FLEXIBLE BASE WINDROWS

- 5.1 Sampling material from a windrow for acceptance may only be tested for liquid limit ([Tex-104-E](#)) and plastic limit ([Tex-105-E](#)) to determine the plasticity index ([Tex-106-E](#)), or gradation ([Tex-110-E](#)).
- 5.1.1 When testing material for wet ball mill ([Tex-116-E](#)) or compressive strength ([Tex-117-E](#)) for acceptance, sampling must be from a stockpile in accordance with Section 4.
- 5.2 Choose two locations that are within 500 ft. apart.
- 5.2.1 Avoid sampling from the ends of the windrow section by choosing a location that is more than 10 ft. from the end.
- 5.2.2 Choose locations that appear uniform and not segregated.
- 5.3 Refer to the test procedure for the minimum sample size.
- 5.4 Use a square-tip shovel and remove approximately the top one ft. of material.
- 5.5 Sample material from the top, flattened area of the windrow from each location.
- 5.5.1 Avoid sampling from the sides of the windrow.

- 5.5.2 Avoid any segregated coarser material.
  - 5.6 Seal and label the sample bags or containers, and properly secure for transportation to avoid any loss of material.
  - 5.7 Proceed to Section 6 to prepare the sample for testing.
- 

## 6. PREPARING FLEXIBLE BASE SAMPLES FOR TESTING

- 6.1 Allow the material to air dry or oven dry at a maximum temperature of 140°F for a minimum of 4 hr. until the material is sufficiently dry for handling.
  - 6.2 Quarter the material by emptying each container or sample bag onto a clean floor or a clean tarp. Optionally, use a mechanical quartering device or sample splitter to quarter the material and proceed to Section 6.6.
  - 6.3 Thoroughly mix the material using a shovel. When using a tarp, the ends of the tarp may also be used to also mix the material.
  - 6.4 Spread the material into the shape of a circle of uniform thickness and homogenous with no segregation.
  - 6.5 Using a shovel or straightedge, visibly trace lines on top of the material to outline four evenly sized quarters.
  - 6.6 Use a quarter of the sample and proceed to [Tex-101-E](#), Part I to prepare and test the material for the liquid limit ([Tex-104-E](#)) and plastic limit ([Tex-105-E](#)) tests to determine the plasticity index ([Tex-106-E](#)); and for the gradation ([Tex-110-E](#)).
  - 6.7 Combine the remaining three quarters with any remaining material from Section 6.6 and proceed to [Tex-101-E](#), Part II to prepare the material for Moisture-Density curve ([Tex-113-E](#)), wet ball mill ([Tex-116-E](#)), and compressive strength ([Tex-117-E](#)) testing.
- 

## 7. SOIL SURVEY

- 7.1 Conduct the survey during the time of sampling to identify and visualize the material taken from different depths.
  - 7.2 Identify the location which may include the highway, station number, mile marker, direction, location within the lane, and distance from the nearest intersection.
  - 7.3 Identify the materials sampled in accordance with [Tex-141-E](#), Manual Procedure for Description Identification of Soils.
  - 7.4 Include at a minimum the following information in the survey documentation.
    - 7.4.1 The depth and location of each type of soil or rock in the subsurface.
    - 7.4.2 The condition of subsoils (moisture and density) upon which embankments will be constructed.
    - 7.4.3 The location and selection of suitable material for fills, sub-grade treatment and backfill adjacent to structures.
    - 7.4.4 Material properties from laboratory testing, such as gradation ([Tex-110-E](#)), liquid limit ([Tex-104-E](#)), plastic limit ([Tex-105-E](#)), plasticity index ([Tex-106-E](#)), and soil classification ([Tex-142-E](#)).
-

**8. ARCHIVED VERSIONS**

8.1 Archived versions are available.

---

**Test Procedure for****PREPARING SOIL AND FLEXIBLE BASE  
MATERIALS FOR TESTING****TxDOT Designation: Tex-101-E****Effective Date: January 2010**

---

**1. SCOPE**

- 1.1 This method describes three procedures for preparing of soil and flexible base samples for soil constants and particle size analysis, compaction and triaxial, and sieve analysis of road-mixed material.
- 1.2 The values given in parentheses (if provided) are not standard and may not be exact mathematical conversions. Use each system of units separately. Combining values from the two systems may result in nonconformance with the standard.
- 

**2. DEFINITIONS**

- 2.1 *Soil Binder*—Soil binder is any material passing the 425  $\mu\text{m}$  (No. 40) sieve.
- 2.2 *Percent Soil Binder*—Percent soil binder is equal to 100 times the ratio of the oven-dry mass of the soil binder to the oven-dry mass of the total.
- 

**3. APPARATUS**

- 3.1 *Set of standard U.S. sieves*, meeting the requirements of Tex-907-K.
- 3.2 *Scale*, with a minimum capacity of 36 kg (80 lb.), with a minimum accuracy and readability of 5 g or 0.1% of the test load, whichever is greater.
- 3.3 *Drying oven*, maintained at 60°C (140°F).
- 3.4 *Crusher* (optional), which can be adjusted to produce material passing a 2.00 mm (No. 10) sieve.
- 3.5 *Mechanical pulverizer* (optional).
- 3.6 *Wedgewood mortar and pestle*.
- 3.7 *Scoop*.
- 3.8 *Small siphon tube* (optional).
-

3.9 *Sample containers, metal pans, cardboard cartons.*

3.10 *Filter paper, non-fibrous.*

3.11 *Sample splitter, quartering machine, or quartering cloth.*

3.12 *Mechanical mixer (stirring device).*

3.13 *Dispenser cup.*

3.14 *Plaster of Paris molds (optional).*

**Note 1**—Dry the plaster of Paris molds at a temperature not to exceed 60°C (140°F) after forming, and wash and dry after each use.

---

## 4. MATERIALS

4.1 *Tap water.*

---

## 5. SAMPLE IDENTIFICATION

5.1 Give each sample an identification number on a suitable card. This card should remain with the sample throughout the processing and testing.

---

# PART I—PREPARING SAMPLES FOR SOIL CONSTANTS AND PARTICLE SIZE ANALYSIS

---

## 6. SCOPE

6.1 If only soil constants are desired, use either “Dry Preparation (Method A)” or “Wet Preparation (Method B).” However if particle size analysis or percent soil binder is also desired, use Method A. Furthermore, use Method A when preparing a referee test.

---

## 7. PREPARING SAMPLES

7.1 *Dry Preparation (Method A)*—to be used for analysis of soil constants, particle size, or percent soil binder, or when preparing a referee test

7.1.1 Select a representative sample according to the appropriate test method (Tex-100-E or Tex-400-A) large enough to yield at least 300 g of soil binder.

7.1.2 Dry the sample in a 60°C (140°F) oven.

7.1.3 Examine the sample by visual inspection or slake small portions in water to determine if the material has any particles larger than 425 µm (No. 40).

- 7.1.4 If the amount of aggregate larger than 425  $\mu\text{m}$  (No. 40) is easily distinguishable, remove these particles by hand and proceed to Section 7.1.27.
- 7.1.5 For materials containing a considerable amount of aggregate, separate the fine loose binder from the coarse particles by sieving over a 425  $\mu\text{m}$  (No. 40) sieve.
- 7.1.6 Set the soil binder passing the sieve aside to recombine with the additional binder obtained from Sections 7.1.8 through 7.1.24.
- 7.1.7 If desired, slake the total material.
- 7.1.8 Place the material to be slaked into a pan.
- 7.1.9 Cover the material completely with water and soak for a minimum of 12 hours, unless Tex-102-E determines a shorter time.
- 7.1.10 Place the empty 425  $\mu\text{m}$  (No. 40) sieve into a clean pan and pour the liquid from the wet sample through it.
- 7.1.11 Transfer the wet sample to the sieve in increments not exceeding 450 g.
- 7.1.12 Pour water over the sieve until the water level is about 12.5 mm (0.5 in.) above the sample on the sieve.
- 7.1.13 Alternately agitate the sieve up and down and stir the sample by hand.
- 7.1.14 If the material retained on the sieve contains lumps that have not disintegrated, crumple any that can be broken down between thumb and fingers and wash through the sieve.
- 7.1.15 After all the soil binder appears to have passed through the sieve, hold the sieve above the pan and wash the retained aggregates clean by pouring a small amount of water over it and letting the water drain into the pan.
- 7.1.16 Transfer the retained aggregate from the sieve to a clean pan.
- 7.1.17 Repeat the procedure in Sections 7.1.10 through 7.1.16 until all of the soaked sample has been washed.
- 7.1.18 Dry the retained aggregate portion of the sample in a 60°C (140°F) oven.
- 7.1.19 Re-screen over the 425  $\mu\text{m}$  (No. 40) sieve and add the binder passing the sieve to the soil binder obtained in Section 7.1.6.
- 7.1.20 Weigh the mass of the aggregate and retain for use in Tex-110-E, Part I.
- 7.1.21 Place the pan containing the soil binder and wash water aside, where it will not be disturbed, until all the soil has settled to the bottom of the pan and the water above the soil is clear.
- 7.1.22 Decant the water off the soil.

- 7.1.23 Dry the remaining soil in a 60°C (140°F) oven.
- 7.1.24 In cases where the materials fail to settle overnight, evaporate the water by placing the sample in a 60°C (140°F) oven until it is dry, or siphon the water on to a plaster of Paris mold lined with filter paper.
- 7.1.25 When the water has disappeared, place the filter paper with adhering soil in a pan and dry in the oven.
- 7.1.26 Sweep the dry soil from the filter paper with a stiff brush into the pan of fines.
- 7.1.27 Break down the dried soil binder with a mortar and pestle or use a suitable mechanical pulverizer with an opening set from 635 to 889  $\mu\text{m}$  (0.025 to 0.035 in.)
- 7.1.28 If a pulverizer is used, any material still aggregated in lumps larger than 425  $\mu\text{m}$  (No. 40) should be broken down with a mortar and pestle.
- 7.1.29 Combine all of the soil binder obtained and weigh the mass to the nearest 5 g.
- 7.1.30 Mix thoroughly to produce a uniform sample of all of the particles.
- 7.1.31 Add the masses obtained in Sections 7.1.20 and 7.1.29, and record the sum as the Total Dry Mass of the sample.
- 7.2 *Wet Preparation (Method B)*—to be used for the analysis of soil constants only
- 7.2.1 Select a representative sample according to Tex-100-E or Tex-400-A.
- 7.2.2 Make the sample large enough to yield at least 300 g of soil binder.
- 7.2.3 Place the sample in a clean pan.
- 7.2.4 Cover the sample completely with clear water.
- 7.2.5 Soak soils with moderate to high Plasticity Indices (PI) for a minimum of 12 hours, unless Tex-102-E determines a shorter time.
- 7.2.6 Soak flexible base and low PI materials for a minimum of two hours.
- 7.2.7 Sieve the wet sample into a clean pan in increments of approximately 450 g over a 2.00 mm (No. 10) sieve to remove large aggregate particles.
- 7.2.8 Wash the aggregate retained on the sieve with a small amount of water.
- 7.2.9 Discard the portion of material retained on the sieve.
- 7.2.10 For soils and base materials with low PI, go to Section 7.2.14.
- 7.2.11 For soils with moderate to high PI, place the wet material passing the 2.00 mm (No. 10) sieve into the dispersion cup of a mechanical malt mixer.



- 7.2.12 Do not fill the cup more than half-full.
- 7.2.13 Mix the material for three to five minutes or until the soil binder is separated.
- 7.2.14 Pour the material through a 425  $\mu\text{m}$  (No. 40) sieve into a plaster of Paris bowl lined with filter paper.
- 7.2.15 Vigorously agitate the sieve up and down over the bowl while occasionally stirring the sample by hand to allow as much material as possible to pass the 425  $\mu\text{m}$  (No. 40) sieve.
- 7.2.16 If the material retained on the sieve contains lumps that have not disintegrated, return to the dispersion cup, and remix and wash through the sieve.
- 7.2.17 Sieve until at least 95% of the soil binder appears to have passed through the sieve.
- 7.2.18 Reduce the water content of the material in the plaster of Paris bowl to below the liquid limit.
- 7.2.19 When the sample can be divided into pie-like wedges, and each wedge can be easily removed, it can be used for testing of soil constants.
- 7.2.20 If the soil constants are not to be determined immediately, place the material into an airtight container to prevent moisture loss.
- 

## 8. CALCULATION

- 8.1 Use the following to calculate the percent soil binder:

$$\text{Percent Soil Binder} = 100(W_1/W_T)$$

Where:

$W_1$  = dry mass of soil binder

$W_T$  = dry mass of total sample.

---

## 9. REPORT

- 9.1 Report the percent soil binder to the nearest whole percent.
- 

# PART II—PREPARING SAMPLES FOR COMPACTION AND TRIAXIAL TESTS

---

## 10. SCOPE

- 10.1 Use this part to prepare samples for the compaction and triaxial tests. This procedure applies to all materials, except stabilized material, in the roadway or stockpile condition.
-

---

## 11. PREPARING SAMPLES

11.1 Select approximately a 90 kg (200 lb.) representative sample according to Tex-100-E or Tex-400-A.

11.2 Check specifications for maximum aggregate size.

11.3 Spread sample on a clean floor to air dry or use a forced draft of warm air not to exceed 140°F (60°C) for soils and 230°F (110°C) for flexible base material.

11.4 Dry soils in accordance with Section 11.4.1 and flexible base in accordance with Section 11.4.2.

11.4.1 Reduce the water content of soil samples to slightly below the estimated optimum moisture content.

11.4.2 Dry flexible base materials to constant weight. Constant weight will be considered achieved when the weight loss is less than 0.1% of the sample weight in four hours of drying.

11.5 Process soils in accordance with Section 11.5.1 and flexible base in accordance with Section 11.5.2.

11.5.1 Process moist clay and other soils (which form hard lumps when dried or contain aggregates) so that it will pass a 6.3 mm (1/4 in.) wire-mesh.

11.5.2 Separate flexible base by dry sieving into the following sizes:

- 1 3/4 in. (44.5 mm)
- 1 1/4 in. (31.7 mm)
- 7/8 in. (22.2 mm)
- 5/8 in. (16 mm)
- 3/8 in. (9.5 mm)
- No. 4 (4.75 mm)
- No. 40 (0.425 mm).

**Note 2**—Do not overload the screens. The material passing the No. 4 and retained on the No. 40 sieve may need to be shaken separately and in several small batches to avoid overloading the screen.

11.5.3 When material contains aggregate retained on the 44.5 mm (1-3/4 in.) sieve, add the material passing the 1-3/4 in. (44.5 mm) sieve and retained on the 1-1/4 in. (31.7 mm) sieve for recombining individual specimens.

**Note 3**—Do not use particles larger than 1-3/4 in. (44.5 mm) in the compacted specimens.

11.6 When aggregate between 1- 3/4 in. (44.5 mm) and 1-1/4 in. (31.7 mm) is needed, crush particles larger than 1-3/4 in. (44.5 mm) or obtain additional material from the project.

**Note 4**—Do not crush the material if it is an uncrushed gravel.

- 11.7 Mix each size to make moisture as uniform as possible.
- 11.8 Weigh each size of material to the nearest 0.1 lb (5 g).
- 11.9 Calculate the cumulative percentages retained on each sieve size as shown under Section 12.
- 11.10 These values are to be used in recombining the sample for compaction specimens.
- 

## 12. CALCULATION

- 12.1 Calculate the cumulative percentages retained on each sieve.

$$\text{Percent Retained} = 100(\text{Mass Retained} / \text{Total Mass of Sample})$$

---

## PART III—SIEVE ANALYSIS OF ROAD-MIX STABILIZED MATERIAL

---

### 13. SCOPE

- 13.1 This procedure applies to chemically stabilized materials sampled from the roadway during construction. These materials may be tested in the roadway condition for adequate pulverization, using sieves required by the governing Department Standard Specifications.
- 

### 14. PROCEDURE

- 14.1 Select a representative sample from the roadway according to Tex-100-E.
- 14.2 Reduce the sample, using a sample splitter or other approved method, to a minimum of 4.5 kg (10 lb.)
- 14.3 Remove all non-slakable aggregates retained on the specified sieves.
- 14.4 Weigh the sample to the nearest 5 g and record as the Total Mass under Section 15.
- 14.5 Use the specified sieves to separate the sample into different size fractions.
- 14.6 Use either a sieve shaker or the hand method in the sieving operation.
- 14.7 Sieve the sample with a lateral and vertical motion of the sieves, accompanied by a jarring action to keep the material moving over the surface of the sieve.
- 14.8 Continue the sieving operation until no more than one percent of the test sample, by mass, passes through any sieve after one minute of continuous shaking.
-

- 14.9 Weigh the material passing each of the required sieves and record its mass to the nearest 5 g.
- 

**15. CALCULATION**

- 15.1 Use the following to determine percent material passing each sieve.

$$\text{Percent Passing} = 100(\text{Mass Passing a Sieve} / \text{Total Mass of Sample})$$

---

**16. REPORT**

- 16.1 Report test results to the nearest whole percent.
- 

**17. ARCHIVED VERSIONS**

- 17.1 Archived versions are available.



## Tex-101-E Part II, Preparing Samples for Compaction and Triaxial

Sieve Size	Individual Weight Retained	Individual % Retained	Cumulative % Retained
1 3/4"			
1 1/4"			
7/8"			
5/8"			
3/8"			
#4			
#40			
- #40			
Total			

---

**Test Procedure for****MOISTURE CONTENT OF SOILS AND BASE MATERIALS**TxDOT Designation: **Tex-103-E****Effective Date: February 2024**

---

**1. SCOPE**

- 1.1 Use this test procedure to determine the moisture content of embankment (soils), flexible base, roadway salvaged materials, and treated materials. Moisture content is the water content of a material. It is a ratio of the weight of water to the weight of the dry, solid particles of the material and is reported as a percentage.
- 1.2 This test consists of two parts. Part I is for using a drying oven and Part II is for using a microwave oven the preferred method to determine the moisture content of material is Part I.
- 1.2.1 A microwave oven may be used to expedite the test to provide results rapidly. It is not recommended to use a microwave oven for testing treated materials using asphalt, cement, or lime because this may damage the oven. Be attentive to the composition of samples, such containing highly organic material or contaminants that may ignite into flames.
- 1.2.2 Do not use a microwave oven to dry material when testing it for the plasticity index and organic content.
- 1.3 *This test procedure does not claim to address the safety concerns associated with its use. It is the responsibility of the user of this test procedure to establish the appropriate safety, health, and environmental practices and determine the applicability of regulatory limitations before use.*
- 

**2. APPARATUS**

- 2.1 *Balance*
- 2.1.1 Class G1 in accordance with [Tex-901-K](#), for specimens with a mass of 200 g or less.
- 2.1.2 Class G2 in accordance with [Tex-901-K](#) for specimens with a mass greater than 200 g.
- 2.2 *Container or pan with lid.*
- 2.2.1 When using an oven, the container or pan and lid must be resistant to corrosion, will not change in weight from heating and cooling, and have close-fitting lids.
- 2.2.2 When using a microwave oven, the container or pan and lid must be non-metallic and non-absorbent.
- 2.3 *Desiccator cabinet or jar, containing silica gel or anhydrous calcium sulfate.*
-

- 2.3.1 Use a desiccator when using a microwave oven to allow the container and sample to cool after use to allow handling and prevent damage to the balance. A desiccator is not required when using containers with close-fitting lids.
- 2.4 Gloves, tongs, or holder, suitable for moving and handling hot containers or pans after drying.
- 2.5 Heat sink, small bowl, cup, or container of water or sponge.
- 2.6 Microwave oven, variable power controls and input power ratings of 700 watts.
- 2.7 Oven, capable of maintaining a temperature of 230° ± 9°F.
- 2.8 Spatula or scoop.

### 3. PREPARING SAMPLE

- 3.1 Sample embankment (soils), flexible base, roadway salvaged materials, and treated materials in accordance with [Tex-100-E](#) and split or quarter to the minimum weight listed in Table 1.

Table 1

Min Weight of Field Sample

Max Particle Size	Min Weight of Test Sample, g
1-3/4 in.	5,000
3/4 in.	1,000
No. 4	500

- 3.1.1 When the maximum particle size is between the sizes listed in the table, use the next larger minimum weight.
- 3.2 Store samples prior to testing in airtight containers at a temperature between 37°F to 86°F and in an area that prevents direct contact with sunlight.
- 3.3 Label and identify each sample separately.
- 3.4 Measure the moisture content as soon as possible after sampling.

## PART I—CONVENTIONAL OVEN METHOD

### 4. PROCEDURE

- 4.1 Weigh a clean, dry container or pan and a lid from Section 2.2.1 and record to the nearest 0.1 g.
- 4.2 Place the sample in the container and spread it around to approximately an even thickness and cover it with the lid immediately.
- 4.3 Weigh the container with the sample and lid, and record to the nearest 0.1 g.
- 4.4 Remove the lid and place the container with the sample in the drying oven.

- 4.5 Dry for a minimum of 16 hours at  $230^{\circ} \pm 9^{\circ}\text{F}$  or to a constant weight.
- 4.5.1 When testing the sample after drying for liquid limit (Tex-104-E) and plastic limit (Tex-105-E) or sulfate content (Tex-145-E), dry the sample at a maximum temperature of  $140^{\circ}\text{F}$ .
- 4.5.2 When testing the sample after drying for organic content (Tex-148-E), dry the sample at a maximum temperature of  $104^{\circ}\text{F}$ .
- 4.5.3 Constant weight is achieved when the weight loss is less than 0.1% of the sample weight after 4 hr. of drying.
- 4.6 Remove the container from the oven and replace the lid firmly.
- 4.7 Allow the container and sample to cool to room temperature or until the container can be handled comfortably with bare hands and the operation of the balance will not be affected by the heat of the container.
- 4.8 Weigh the container, lid, and sample and record to the nearest 0.1 g.

---

## PART II—MICROWAVE OVEN METHOD

---

### 5. PROCEDURE

- 5.1 Weigh a clean, dry container or pan and a lid from Section 2.2.2 and record to the nearest 0.1 g.
- 5.2 Place the sample in the container and spread it around to approximately an even thickness and cover it with the lid.
- 5.3 Weigh the container with the sample and lid, and record to the nearest 0.1 g.
- 5.3.1 The minimum sample weight is 500 g. Samples less than 500 g may dry too rapidly and cause the sample to disperse and scatter throughout the microwave oven during heating.
- 5.4 Remove the lid and place the container with the sample and a heat sink in the microwave oven.
- 5.4.1 A heat sink is a material or liquid that will absorb energy after the moisture has been driven from the sample. This will prevent from over-heating the sample and damaging the microwave oven. A beaker filled with water or sponge may be used.
- 5.5 Turn on the microwave oven for 3 min.
- 5.6 Remove the container and sample from the oven and place it in the desiccator to cool to allow handling and to prevent damage to the balance.
- 5.6.1 A desiccator is not necessary when using containers with close-fitting lids.
- 5.7 Weigh the container and sample and when applicable with the lid and record to the nearest 0.1 g.
- 5.8 Use a spatula and carefully mix the sample.
- 5.9 Return the container and sample and when applicable with the lid to the oven and reheat it for 1 min.



- 5.10 Repeat the heating (drying), cooling, and weighing, until the change between two consecutive weights 0.1% or less of the initial wet mass of the sample.
- 5.11 Record the final weight of the container, lid, and sample to the nearest 0.1 g.
- 5.12 Discard the sample and do not use it for any other test after drying. The sample may have particle breakdown, chemical changes or losses, melting, or loss of organic material. Test results will not be accurate.
- 

## 6. CALCULATIONS

- 6.1 Use the following equation to determine the weight of moisture (water).

$$W_{Water} = W_2 - W_3$$

- 6.2 Use the following equation to determine the weight of the dry sample (material).

$$W_{Dry} = W_3 - W_1$$

- 6.3 Use the following equation to determine the moisture content (%).

$$\text{Moisture Content} = 100 \times \left[ \frac{W_{Water}}{W_{Dry}} \right]$$

Where:

$W_{Water}$  = Weight of water.

$W_{Dry}$  = Weight of the dry material.

$W_1$  = Weight of container and lid, g. (Section 4.1 or 5.1).

$W_2$  = Weight of container, lid, and sample containing moisture before drying, g. (Section 4.3 or 5.3).

$W_3$  = Weight of the container, lid, and dry material after drying, g. (Section 4.8 or 5.11)

---

## 7. REPORT

- 7.1 Report the test results to the nearest 0.1 %.
- 

## 8. ARCHIVED VERSION

- 8.1 Archived version.



## Tex-103-E, Moisture Content of Soils and Base Materials

### Calculation

Mass of the Water

$$W_W = W_2 - W_3$$

Mass of the Solid Particle:

$$W_{Dry} = W_3 - W_1$$

Water Content:

$$WC = (W_W / W_{Dry}) \times 100$$

### Where

- $W_W$  = Weight of the water
- $W_{Dry}$  = Weight of the dry material
- $WC$  = Water content
- $W_1$  = Mass of container and lid
- $W_2$  = Mass of container, lid, and moist specimen
- $W_3$  = Mass of container, lid, and oven-dried specimen

---

**Test Procedure for****DETERMINING LIQUID LIMITS OF SOILS****TxDOT Designation: Tex-104-E****Effective Date: August 1999**

---

**1. SCOPE**

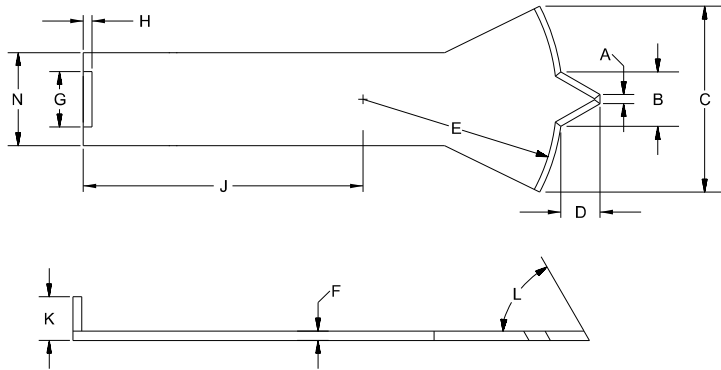
- 1.1 This procedure determines the liquid limit of soils, defined as the water content of a soil at the arbitrarily determined boundary between the liquid and plastic states, expressed as a percentage of the oven-dried mass of the soil.
- 1.2 The values given in parentheses (if provided) are not standard and may not be exact mathematical conversions. Use each system of units separately. Combining values from the two systems may result in nonconformance with the standard.
- 

**2. APPARATUS**

- 2.1 *Mixing dish*, porcelain, 102–127 mm (4–5 in.) in diameter.
- 2.2 *Spatula*, flexible, with blade approximately 102 mm (4 in.) long and 19 mm (0.75 in.) wide.
- 2.3 *Balance*, Class G1 in accordance with Tex-901-K, minimum capacity of 100 g.
- 2.4 *Drying oven*, vented, maintained at  $110 \pm 5^\circ\text{C}$  ( $230 \pm 9^\circ\text{F}$ ).
- 2.5 *Weighing dishes*, non-absorbent, with lids.
- 2.6 *Grooving tool*, dimensions shown in Figure 1, made of non-absorbent, non-reactive material. (This grooving tool may be used in combination with the grooving tool specified by AASHTO T 89.)
- 2.7 *Liquid limit device*, consisting of a brass cup having a weight including cup hanger of 185–215 g and carriage conforming to the dimensions shown in Figure 4.  
**Note 1**—Wear is excessive when the point of contact on the cup or base exceeds 13 mm (0.5 in.) in diameter, or when any point on the rim of the cup is worn to half of the original thickness. Replace the cup when the groove-wear in the cup is 0.1 mm (0.004 in.) Refinish a base that is excessively worn, as long as the thickness meets the tolerance specified in Figure 4.
- 2.8 *Height-of-drop metal gauge block*, 10 mm (0.4 in.) thick and approximately 51 mm (2 in.) long and 25 mm (1 in.) wide.
-

2.9 Spray bottle.

ASTM Grooving Tool



AASHTO Grooving Tool

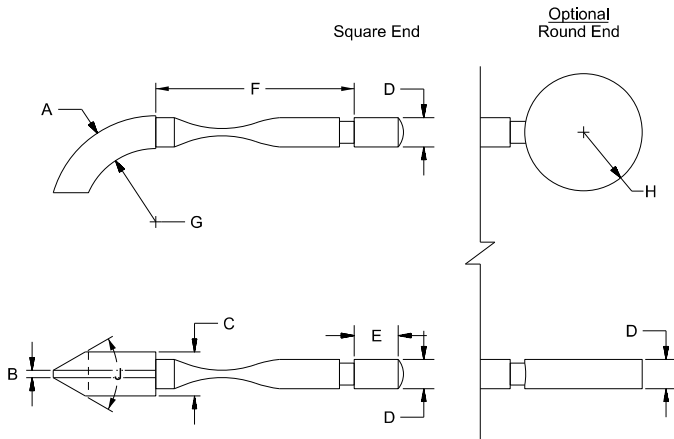
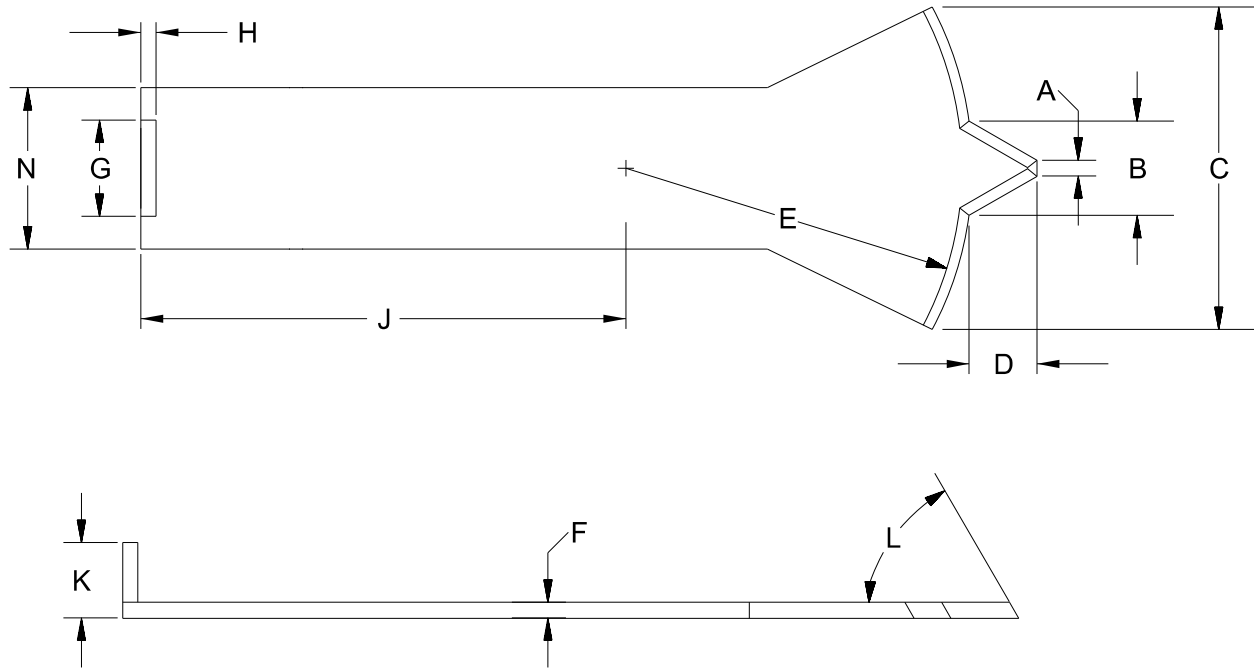


Figure 1—Grooving Tool Dimensions



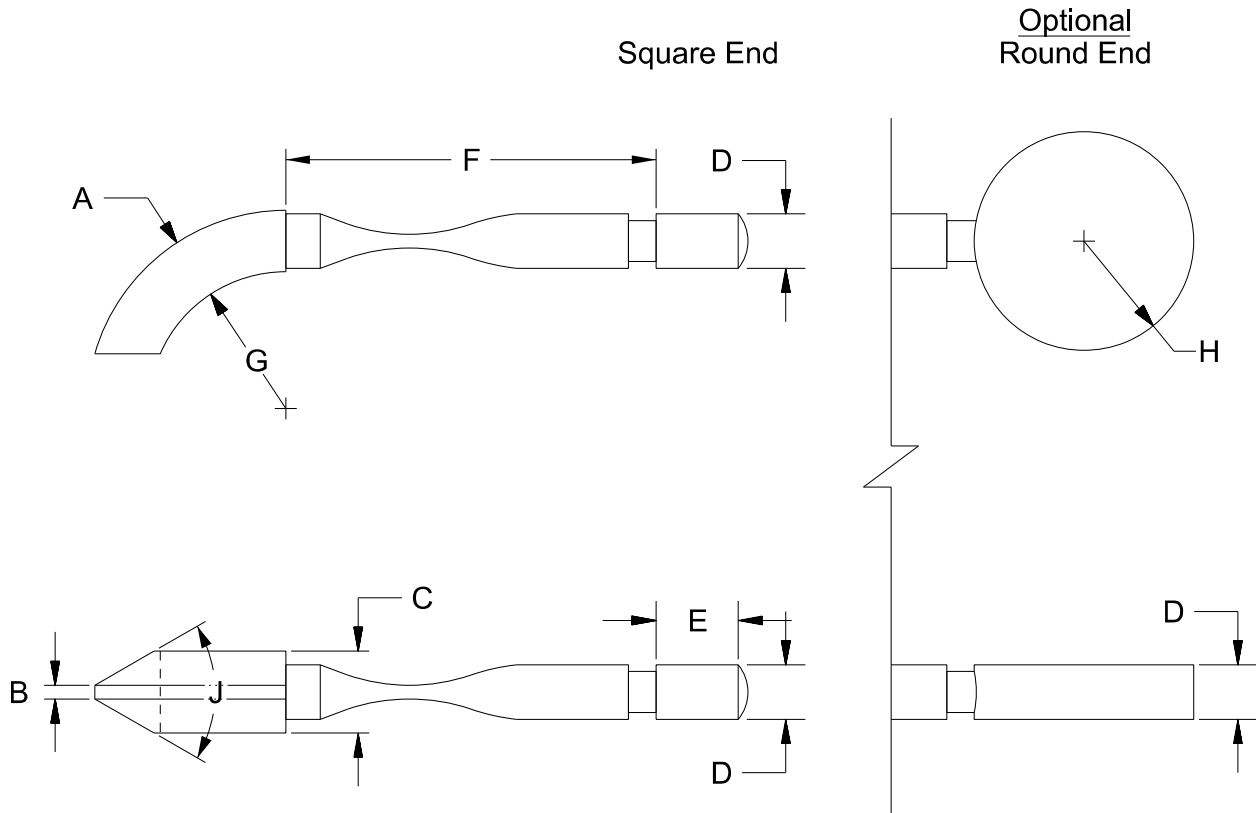
Letter	A <sup>Δ</sup>	B <sup>Δ</sup>	C <sup>Δ</sup>	D <sup>Δ</sup>	E <sup>Δ</sup>	F <sup>Δ</sup>
Measurement, mm	2 ± 0.1	11 ± 0.2	40 ± 0.5	8 ± 0.1	50 ± 0.5	2 ± 0.1
Letter	G	H	J	K <sup>Δ</sup>	L <sup>Δ</sup>	N
Measurement, mm	10 (min)	13	60	10 ± 0.05	60° ± 1°	20

<sup>Δ</sup> Essential Dimensions

<sup>□</sup> Back at least 15 mm from tip.

NOTE: Dimension A should be 1.9 - 2.0 and dimension D should be 8.0 - 8.1 when new to allow for adequate service life.

**Figure 2**—Grooving Tool (ASTM)



Letter	A	B	C	D	E
Measurement, mm	10 ± 0.1	2 ± 0.1	13.5 ± 0.1	10 ± 0.2	15.9
Letter	F	G	H	J	
Measurement, mm	76.2	22.2	25.4	60°	

**Figure 3**—Grooving Tool (AASHTO)

OVERALL DIMENSIONS										
Letter	A	B	C	E	F	G	H	J	K	L
Measurement, in	54 ± 0.5	2 ± 0.1	27 ± 0.5	56 ± 2.0	32	10 ± 2.0	16 ± 2.0	60 ± 1.0	50 ± 2.0	150 ± 2.0
Letter	M	N	P	R	T	U	V	W	Z	
Measurement, in	125 ± 2.0	24 ± 1.0	28 ± 1.0	24 ± 1.0	45 ± 2.0	47 ± 1.0	3.8 ± 0.5	13 ± 2.0	6.5 ± 2.0	

CAM DIMENSIONS							
Cam Angle Degrees	0	30	60	90	120	150	180
Cam Radius	0.742 R	0.753 R	0.764 R	0.773 R	0.784 R	0.796 R	0.818 R
Cam Angle Degrees	210	240	270	300	330	360	
Cam Radius	0.854 R	0.901 R	0.945 R	0.974 R	0.995 R	1.000 R	

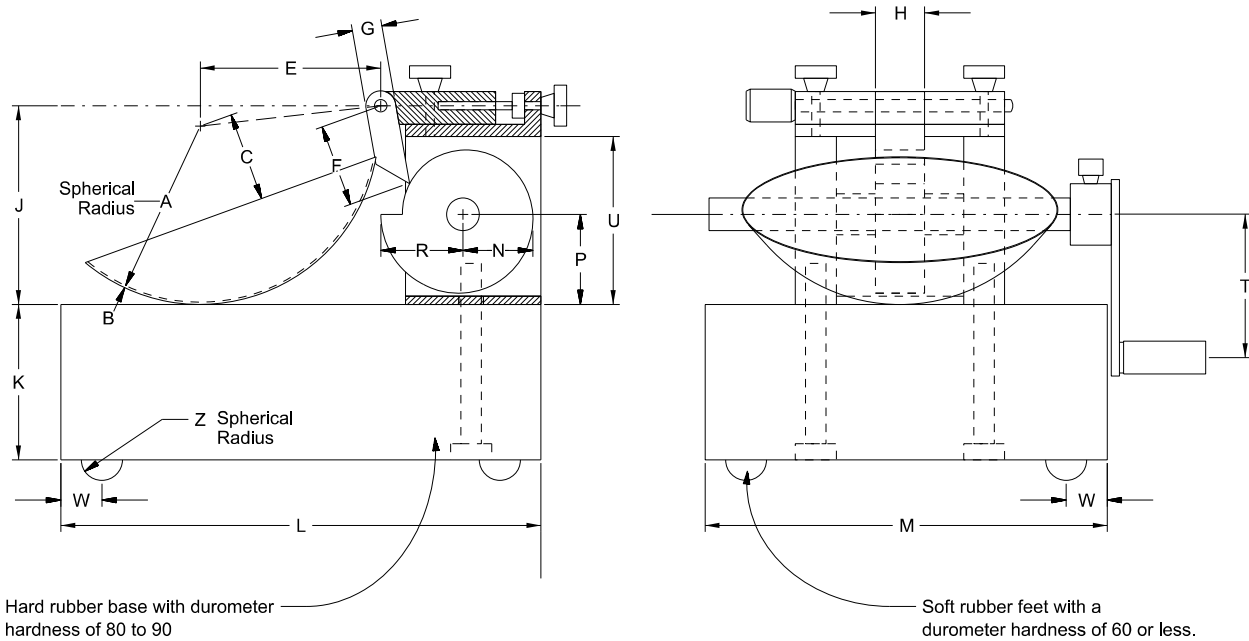


Figure 4—Mechanical Liquid Limit

### 3. REPORT FORM

- 3.1 Use [Form 1748](#), “Worksheet for Tex-104-E, Determining Liquid Limit of Soils” for the 1-point method and the 3-point method.

### 4. MATERIAL

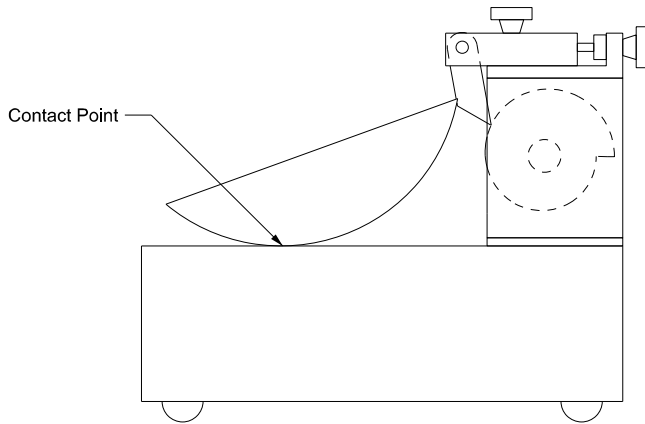
- 4.1 *Distilled or deionized water.*

### 5. PROCEDURE

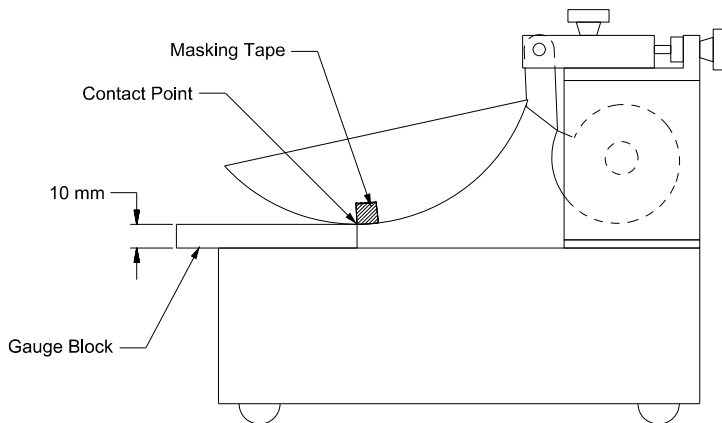
- 5.1 Inspect the Liquid Limit Device to ensure it is in good working condition by checking that:
- the pin connecting the cup is not worn sufficiently to permit side play;
  - the screws connecting the cup to the hanger arm are tight;

- the points of contact on the cup and base are not excessively worn; and
  - a groove has not been worn into the cup from long usage.
- 5.2 Inspect the grooving tool and the liquid limit device frequently to ensure that the critical dimensions meet those shown in Figure 1 and Figure 4, respectively.
  - 5.3 Use the height-of-drop gauge block and the adjustment plate (H, shown in Figure 4) to adjust the height of the cup.
  - 5.4 Secure the adjustment plate by tightening the screws.
  - 5.5 With the gauge block in place, check the adjustment by revolving the crank rapidly several times. If the height of drop for the cup is correct, a slight ringing sound will be heard when the cam strikes the cam follower. Make further adjustment if no sound is heard or the cup is raised off the gauge. (See Note 2.)

Cup Resting on Base of Liquid Limit Device



Cup Resting on Gauge Block with Tape in Place



**Figure 5**—Adjusting Liquid Limit Device



**Note 2**—A convenient procedure for adjusting the height of drop is as follows:

- Place a piece of masking tape across the outside bottom of the cup parallel with the axis of the cup hanger pivot.
- The edge of the tape away from the cup hanger should bisect the spot on the cup that contacts the base.
- For new cups, placing a piece of carbon paper on the base and allowing the cup to drop several times will mark the contact spot.
- Attach the cup to the device and turn the crank until the cup is raised to its maximum height.
- Slide the height gauge under the cup from the front, and observe whether the gauge contacts the cup or the tape. See Figure 4 for a side view.
- If the tape and cup are both contacted, the height of drop is approximately correct. If not, adjust the cup until simultaneous contact is made.
- Check adjustment by turning the crank at two revolutions per second while holding the gauge in position against the tape and cup.
- If a ringing or clicking sound is heard without the cup rising from the gauge, the adjustment is correct.
- If no ringing is heard, or if the cup rises from the gauge, readjust the height of drop.
- If the cup rocks on the gauge during this checking operation, the cam follower pivot is excessively worn, and the worn parts should be replaced.
- Always remove the tape after completion of the adjustment operation.

---

## 6. PREPARING SAMPLE

- 6.1 Prepare the soil binder in accordance with Tex-101-E, “Dry Preparation (Method A) or “Wet Preparation (Method B).” Prepare a referee sample according to Method A only.

---

## PART I, MULTI-POINT METHOD

---

### 7. SCOPE

- 7.1 Use the multi-point method (Part I) as a referee method. The results of this method overrule the results of the one-point method (Part II) in cases of dispute.

---

### 8. PROCEDURE

**Note 3**—Go immediately to Section 8.6. if Tex-101-E, Method B was used to prepare the dry soil sample.

- 8.1 Place approximately 100 g of the soil sample in the mixing dish.
- 8.2 Thoroughly mix the soil with small increments of distilled or deionized water. Use a spray bottle to apply a uniform mist of water to the sample.
- 8.3 Alternately stir, knead, and chop the sample with a spatula, thoroughly mixing each increment of water with the soil before adding another increment of water.
- Note 4**—Do not use the cup of the liquid limit device for mixing the soil and water.
- 8.4 Add water and mix thoroughly until the soil-water mixture produces a groove closure with 25 to 35 blows by following Sections 8.7 through 8.14.
- 8.5 Cover the mixing dish and allow the sample to stand for at least 12 hours.
- Note 5**—Some soils are slow to absorb water; therefore, it is possible to add increments of water so fast that a false liquid limit is obtained. Avoid this by allowing more mixing and/or time for soil to absorb moisture sufficiently. If more soil is added to dry out the sample, mix thoroughly and allow ample time for the soil to absorb moisture sufficiently. Judgment may be used to shorten the soaking time for low Plasticity Index (PI) materials. All referee samples will be soaked for the full term.
- 8.6 Place a sufficient quantity of thoroughly mixed material in the cup of the liquid limit device and above the spot where the cup rests on the base.
- 8.7 Squeeze and spread the soil-water mixture with the spatula to level and at the same time trim to a depth of about 10 mm (0.4 in.) at the point of maximum thickness.
- 8.8 Use as few strokes of the spatula as possible, being careful not to entrap air bubbles within the mass. Return the excess soil to the mixing dish.
- 8.9 Divide the soil in the cup by a firm stroke of the grooving tool along the diameter through the centerline of the cam follower, so a clean sharp groove of the proper dimensions is formed. The grooving tool should be drawn in an arc and perpendicular to the surface of the cup through its movement.
- 8.10 To avoid tearing the sides of the groove or slipping of the soil pat in the cup, use no more than six strokes.
- 8.11 The depth of the groove should be increased with each stroke and only the last stroke should scrape the bottom of the cup.
- 8.12 When using the AASHTO grooving tool, the depth of the groove should be measured to assure a groove depth of  $8 \pm 0.1$  mm ( $0.3 \pm 0.05$  in.)
- 8.13 Lift and drop the cup by turning the crank at the approximate rate of two revolutions per second until the two halves of the soil pat come in contact at the bottom of the groove for a distance of about 13 mm (0.5 in.)
- 8.14 Record the number of blows required to close the groove. Observe at least two groove closures before one is accepted for the record.

**Note 6**— Do not hold the base of the machine while the crank is being turned. Some soils tend to slide on the surface of the cup instead of flowing. If this occurs, remove the sample from the cup and place in the mixing bowl, then add more water to the sample and remix. Place the soil-water mixture in the cup. Spread and smooth the soil with the spatula. Cut a groove with the grooving tool, and repeat the above step. If the soil continues to slide on the cup with 20 blows or fewer, this test is not applicable and Tex-107-E should be performed.

- 8.15 Remove a slice of soil approximately the width of the spatula, extending from edge to edge of the soil pat, at a right angle to the groove in which the soil flowed together.
- 8.16 Place at least 10 g of the sample in a tared container. Weigh and record the mass of the sample and container to the nearest 0.01 g. (See Section 9.)
- 8.17 Dry the sample to a constant mass in the oven. Weigh and record the mass of the dry soil and container to the nearest 0.01 g. (See Section 9.)
- 8.18 Calculate and record the loss in mass due to drying as the mass of water under Section 9.
- 8.19 Transfer the remaining soil in the cup to the mixing dish. Wash and dry the cup and grooving tool in preparation for the next trial.
- 8.20 Add small increments of water to the soil, mix thoroughly, allow sufficient time for the moisture to be absorbed, and repeat Sections 8.6 through 8.19 with at least two additional trials. Obtain one trial with the required groove closure in each of the following ranges:
- 15–25 blows
  - 20–30 blows
  - 25–35 blows

The minimum range of blows for the three trials should be ten blows.

## 9. CALCULATION

- 9.1 Use the following calculation to determine percent water content:

$$W = \frac{(A - B)}{(B - C)}(100)$$

Where:

$W$  = percent water content

$A$  = mass of wet sample + tare, g

$B$  = mass of dry sample + tare, g

$C$  = mass of tare, g.

---

## 10. DATA REDUCTION

### 10.1 *Plot data:*

10.1.1 Plot the relationship between the water content and the corresponding number of blows on a semi-logarithmic graph with the water content on the arithmetical scale, and the number of blows on the logarithmic scale.

10.1.2 Draw a “best-fit” straight line through the three or more plotted points.

10.1.3 Repeat the procedure to add or replace points necessary to find the “best-fit” straight line.

### 10.2 *Liquid Limit:*

10.2.1 Take the water content corresponding to the intersection of the line with the 25-blow abscissa as the liquid limit of the soil.

10.2.2 Report this value to the nearest whole percent.

---

## PART II—ONE-POINT METHOD

---

## 11. PROCEDURE

11.1 Use Part I except for the following:

11.1.1 Use approximately 50 g of the prepared soil sample.

11.1.2 For accuracy equal to that obtained by the standard multi-point method, apply between 20 and 30 blows for groove closure.

11.1.3 Observe at least two groove closures before one is accepted for the record to ensure the accepted number is truly characteristic of the soil being tested.

**Note 7**—Some soils tend to slide on the surface of the cup instead of flowing. If this occurs, remove the sample from the cup and place in the mixing bowl, then add more water to the sample and remix. Place the soil-water mixture in the cup. Spread and smooth the soil with the spatula. Cut a groove with the grooving tool, and repeat the above step. If the soil continues to slide on the cup with 20 blows or fewer, this test is not applicable and Tex-107-E should be performed.

11.1.4 Take one moisture sample only for the final (accepted) trial.

**12. CALCULATIONS**

12.1 Calculate the water content of the soil at the time of the accepted groove closure according to Part I:

$$W_N = 100[(\text{Mass of Water})/(\text{Mass of Oven Dry Soil})]$$

-OR-

$$100[(A - B)/(B - C)]$$

12.2 Calculate the liquid limit by one of the two following equations:

$$LL = W_N (N/25)^{0.121}$$

-OR-

$$LL = K(W_N)$$

Where:

$N$  = No. of blows causing closure of the groove

$K$  = A factor given in Table 1

$W_N$  = Water content at  $N$  blows

$A$  = mass of wet sample + tare, g

$B$  = mass of dry sample + tare, g

$C$  = mass of tare, g

**Table 1—Factors for Obtaining Liquid Limit from Water Content & Number of Blows Causing Closure of Groove**

N (Number of Blows)	K (Factor for LL)
20	0.974
21	0.979
22	0.985
23	0.990
24	0.995
25	1.000
26	1.005
27	1.009
28	1.014
29	1.018

12.3 For low PI and non-plastic materials, when the two halves close or slide prior to 20 blows, determine the liquid limit (LL) as follows:

12.3.1 Perform Tex-107-E.

12.3.2 Calculate the Plasticity Index (LS = linear shrinkage in percent):

$$PI = LS(1.6)$$

12.3.3 Determine the Plastic Limit (PL) in accordance with Tex-105-E.

12.3.4 Calculate the Liquid Limit:

$$LL = PI + PL$$

---

**13. REPORT**

13.1 Report the liquid limit to the nearest whole percent.

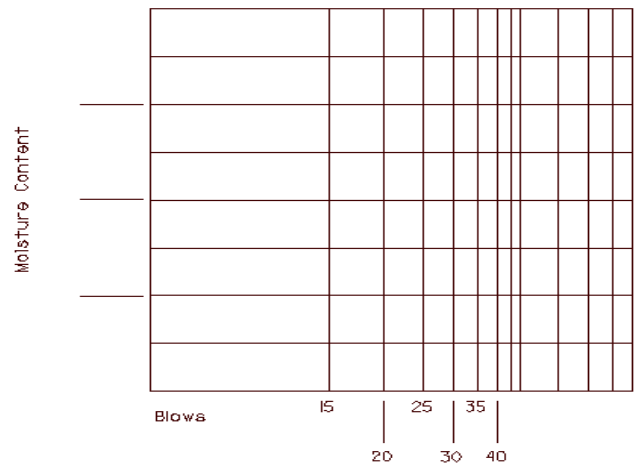


# Atterberg Limits

## Tex-104-E Part I, Multi-Point Method

<b>Dish 1</b>	A - Mass of wet sample + tare	<u>24.87</u>	B - Mass of dry sample + tare	<u>21.97</u>	# of Blows	<u>17</u>
	B - Mass of dry sample + tare	- <u>21.97</u>	C - Mass of tare	- <u>11.19</u>		
		_____	/	_____	X 100 = _____	% Water Content
<b>Dish 2</b>	A - Mass of wet sample + tare	<u>26.14</u>	B - Mass of dry sample + tare	<u>23.19</u>	# of Blows	<u>24</u>
	B - Mass of dry sample + tare	- <u>23.19</u>	C - Mass of tare	- <u>11.09</u>		
		_____	/	_____	X 100 = _____	% Water Content
<b>Dish 3</b>	A - Mass of wet sample + tare	<u>22.08</u>	B - Mass of dry sample + tare	<u>20.10</u>	# of Blows	<u>33</u>
	B - Mass of dry sample + tare	- <u>20.10</u>	C - Mass of tare	- <u>11.11</u>		
		_____		_____	X 100 = _____	% Water Content

(LL) Liquid Limit @ 25 Blows: \_\_\_\_\_



## Tex-105-E, Determining Plastic Limit of Soils

<b>Dish 3</b>	A - Mass of wet sample + tare	<u>24.87</u>	B - Mass of dry sample + tare	<u>22.97</u>
	B - Mass of dry sample + tare	- <u>22.97</u>	C - Mass of tare	- <u>11.19</u>
		_____	/	_____
				X 100 = _____ % Plastic Limit (PL)

## Tex-106-E, Calculating the Plasticity Index of Soils

Plasticity Index (PI) = Liquid Limit (LL) – Plastic Limit (PL)

Plastic Index (PI) = \_\_\_\_\_

### Tex-104-E, DETERMINING LIQUID LIMIT SOILS (1 Point)

Dish # \_\_\_\_\_

W.W.	_____	D.W.	_____	No. of	_____
D.W.	-	T.W.	-	Blows	_____
	_____	÷	_____	x 100 = Moisture Content:	_____

Δ Liquid Limit: \_\_\_\_\_

### Tex-105-E, DETERMINING PLASTIC LIMIT SOILS

DISH # \_\_\_\_\_

W.W.	_____	D.W.	_____		
D.W.	-	T.W.	-		
	_____	÷	_____	X 100 =	Plastic Limit _____

### Tex-106-E, CALCULATING THE PLASTIC INDEX OF SOILS

Plasticity Index: \_\_\_\_\_

### Tex-106-E, CALCULATING THE PLASTIC INDEX OF SOILS

Determine the liquid limit for each water content specimen using one of the following equations:

$$LL = W_N (N/25)^{0.121} \quad \text{or} \quad LL = K(W_N)$$

**Where:**

N = the number of blows causing closure of the groove at water content

$W_N$  = water content

K = a factor given in Table 1

Table 1 - Factors for Obtaining Liquid Limit from Water Content and Number of Drops Causing Closure of Groove

N (Number of Drops)	K (Factor for Liquid Limit)
20	0.974
21	0.979
22	0.985
23	0.990
24	0.995
25	1.000
26	1.005
27	1.009
28	1.014
29	1.018
30	1.022



---

**Test Procedure for****DETERMINING PLASTIC LIMIT OF SOILS****TxDOT Designation: Tex-105-E****Effective Date: August 1999**

---

**1. SCOPE**

- 1.1 This method determines the plastic limit of soils.
  - 1.2 The values given in parentheses (if provided) are not standard and may not be exact mathematical conversions. Use each system of units separately. Combining values from the two systems may result in nonconformance with the standard.
- 

**2. DEFINITIONS**

- 2.1 *Plastic Limit of Soils*—Plastic limit is defined as the lowest moisture content and expressed as a percentage of the weight of the oven dried soil at which the soil can be rolled into threads one-eighth inch in diameter without the soil breaking into pieces. This is also the moisture content of a solid at which a soil changes from a plastic state to a semisolid state.
- 

**3. APPARATUS**

- 3.1 *Porcelain evaporating dish*, 102–127 mm (4–5 in.) in diameter.
  - 3.2 *Flexible spatula*, blade approximately 102 mm (4 in.) long × 19 mm (0.75 in.) wide.
  - 3.3 *Plastic Limit Rolling Device (PLRD)*, and paper.
  - 3.4 *Balance*, Class G1 in accordance with Tex-901-K, 100 g minimum capacity.
  - 3.5 *Drying oven*, maintained at  $110 \pm 5^{\circ}\text{C}$  ( $230 \pm 9^{\circ}\text{F}$ ).
  - 3.6 *Weighing dishes*, non-absorbent, with lids.
  - 3.7 *Plaster of Paris disks*, approximately 102 mm (4 in.) in diameter (optional).
  - 3.8 *Rolling surface*, minimum area of  $300 \times 300$  mm ( $12 \times 12$  in.), non-absorbent, non-corrosive, light surface texture (e.g., ground glass plate, linoleum, or plastic-faced plywood).
- Note 1**—The hand method may be used; however, PLRD will be used as the referee.
-

---

## 4. PREPARING SAMPLE

- 4.1 Select approximately 20 g from material prepared for Tex-104-E.
- 4.2 Reduce water content of soil until it reaches a consistency at which it can be rolled without sticking to hands. Water content can be reduced by one of the following methods:
- place the soil in between two plaster of Paris disks,
  - expose the soil to the air current from an electric fan, or,
  - roll on paper that does not add any fiber to the soil, such as hard surface paper.

---

## 5. PROCEDURE

- 5.1 From the 20 g mass, select four to five portions of 1.5–2 g.
- 5.2 Form each portion into an ellipsoidal mass.
- 5.3 Place the masses in a row on a piece of paper on the PLRD, spaced evenly apart.
- 5.4 Roll the masses in the device with just sufficient pressure to form threads of uniform diameter.
- Note 2**—A normal rate of rolling for most soils is 80–90 strokes per minute, counting a stroke as one complete motion forward and backward to the starting position. This rate of rolling may have to be decreased for very fragile soils.
- 5.5 Taking no more than two minutes, further deform the threads on each stroke so the diameters are continuously reduced and the lengths are extended, until the diameters reach  $3.2 \pm 0.5$  mm ( $1/8 \pm 0.02$  in.)
- 5.6 Reduce the diameter of the threads to  $3.2 \pm 0.5$  mm ( $1/8 \pm 0.2$  in.) Break each thread into several pieces. Squeeze the pieces of each thread together, knead between the thumb and first finger, and reform into an ellipsoidal mass.
- 5.7 Repeat Sections 5.3–5.6 until the soil crumbles under the pressure required for rolling and can no longer be rolled into a 3.2 mm ( $1/8$  in.) diameter thread. There is no problem if the thread breaks into shorter segments before reaching the 3.2 mm ( $1/8$  in.) diameter. Roll each of these shorter segments to 3.2 mm ( $1/8$  in.) diameter.
- 5.8 Gather the portions of the crumbled threads and place in a tared container. Immediately cover the container.
- 5.9 Continue the procedure to accumulate at least 10 g of sample rolled to the 3.2 mm ( $1/8$  in.) diameter.
- 5.10 Weigh and record the mass of the sample and container to the nearest 0.01 g. (See Section 6.) Dry the soil sample in the container to a constant mass in a 110°C (230°F) oven.

- 5.11 Weigh and record the mass of the dry soil and container to the nearest 0.01 g. (See Section 6.)
- The operator should at no time attempt to produce failure at exactly 3.2 mm (1/8 in.) by reducing the rate of rolling and/or pressure, while continuing the rolling without further deformation.
  - For low Plasticity Index (PI) soils, it is permissible to reduce the initial diameter of the ellipsoidal mass to near the required 3.2 mm (1/8 in.) final diameter.
  - Use palm, finger, or a flexible spatula to roll low PI materials.
  - If crumbling occurs when the thread has a diameter greater than 3.2 mm, this should be considered a satisfactory endpoint, provided the soil has been previously rolled to a 3.2 mm (1/8 in.) thread.
  - Crumbling of the thread will manifest itself differently with various types of soil. Some soils fall apart into numerous small aggregations of particles. Others may form an outside tubular layer that starts splitting at both ends. The splitting progresses toward the middle, and finally the thread falls apart in many small platy particles.
  - Fat clay soils require much pressure to deform the thread, particularly as they approach the plastic limit. With these soils, the thread breaks into a series of barrel-shaped segments about 3.2–9.5 mm (1/8–3/8 in.) in length.

**NOTE 3**—The only requirement for continuing the test is that the sample can be reformed into an ellipsoidal mass and rerolled.

## 6. CALCULATIONS

6.1 Mass of water:

$$W = A - B$$

6.2 Plastic Limit (%):

$$PL(\%) = 100[W/(B - C)]$$

Where:

$A$  = mass of wet soil + tare, g

$B$  = mass of dry soil + tare, g

$C$  = mass of tare, g.

## 7. REPORT

7.1 Report the PL to the nearest whole percent.

---

**Test Procedure for****CALCULATING THE PLASTICITY INDEX OF SOILS****TxDOT Designation: Tex-106-E****Effective Date: August 1999**

---

**1. SCOPE**

- 1.1 This method determines the plasticity index of soils.
  - 1.2 The values given in parentheses (if provided) are not standard and may not be exact mathematical conversions. Use each system of units separately. Combining values from the two systems may result in nonconformance with the standard.
- 

**2. DEFINITIONS**

- 2.1 *Plasticity Index*—Plasticity index is a test conducted on soil samples as set out in this test method. The plasticity index is a range of moisture in which a soil remains in a plastic state while passing from a semisolid state to liquid state. Numerical difference between Liquid Limit and Plastic Limit of a soil ( $PI = LL - PL$ ) using Tex-106-E.
- 

**3. PROCEDURE**

- 3.1 Determine liquid limit in accordance with Tex-104-E.
  - 3.2 Determine plastic limit in accordance with Tex-105-E.
- 

**4. CALCULATION**

- 4.1 Use the following calculation to determine plasticity index:

$$PI = \text{Liquid Limit} - \text{Plastic Limit}$$

---

**5. REPORTING**

- 5.1 Record results to the nearest whole number.
-

---

**Test Procedure for****DETERMINING THE BAR LINEAR SHRINKAGE OF SOILS****TxDOT Designation: Tex-107-E****Effective Date: August 1999**

---

**1. SCOPE**

- 1.1 This method allows the user to determine bar linear shrinkage of soils. It shows how to prepare the sample, take measurements, and calculate the linear shrinkage.
  - 1.2 The values given in parentheses (if provided) are not standard and may not be exact mathematical conversions. Use each system of units separately. Combining values from the two systems may result in nonconformance with the standard.
- 

**2. APPARATUS**

- 2.1 *Porcelain evaporating dish*, approximately 115–140 mm (4.5–5.5 in.) in diameter.
  - 2.2 *Flexible spatula*, with a blade approximately 102 mm (4 in.) long × 19 mm (0.75 in.) wide.
  - 2.3 *Straight edge*, stainless steel shrinkage gauge.
  - 2.4 *Balance*, Class G1 in accordance with Tex-901-K, minimum capacity of 200 g.
  - 2.5 *Drying oven*, maintained at  $110 \pm 5^{\circ}\text{C}$  ( $230 \pm 9^{\circ}\text{F}$ ).
  - 2.6 *Grooving tool*, made of non-absorbent, non-reactive material, as shown in Tex-104-E.
  - 2.7 *Bar linear shrinkage mold*, stainless steel or aluminum, with section  $19 \times 19 \times 127$  mm ( $0.75 \times 0.75 \times 5$  in.)
  - 2.8 *Number 20 scale* (optional).
- 

**3. MATERIALS**

- 3.1 *Petroleum jelly*.
  - 3.2 *Distilled or deionized water*.
-

---

#### 4. PREPARING SAMPLE

- 4.1 The bar linear shrinkage test is made on soil binder.
- 4.2 The moist soil sample remaining after the completion of Tex-104-E may be used to form the soil bar.
- 4.3 If there is not a sufficient amount of soil remaining from the liquid limit test, prepare a soil sample according to Tex-101-E, Part I, and mix uniformly with water to reach the consistency as outlined in the procedure of this test.

---

#### 5. PROCEDURE

- 5.1 Place enough material in the evaporating dish to fill the shrinkage mold.
- 5.2 Add water, realizing that a considerable amount of manipulation is required to mix plastic soils.  
**Note 1**—It is very important to mix the soil and water thoroughly and uniformly.
- 5.2.1 Test wet soil for the proper molding consistency by shaping the sample into a smooth layer about 13 mm (0.5 in.) thick on the bottom of the dish and making a groove with the grooving tool.
- 5.2.2 If the material immediately flows of its own accord and just closes the groove at the bottom, the sample is ready for molding.
- 5.2.3 If a slight jarring is required to close the groove or if the soil is obviously too wet, add more water or dry soil and remix the sample.
- 5.3 Grease the inside walls of the bar linear shrinkage mold with a thin layer of petroleum jelly to prevent the adhesion of the soil to the mold.
- 5.4 Shape the soil bar by placing a small portion of the wet soil evenly into the mold and gently jarring the mold to cause the soil to flow and to assist in the removal of entrapped air bubbles.
- 5.5 When the mold has been completely filled, remove the excess soil from the bar by means of the straightedge and smooth the surface level with the top of the mold.
- 5.6 Air dry the soil bar at room temperature until color changes slightly, place in  $110 \pm 5^{\circ}\text{C}$  ( $230 \pm 9^{\circ}\text{F}$ ) oven and dry to a constant mass. Remove specimen from oven, allow to cool, and measure the length of the bar.

---

## 6. CALCULATIONS

6.1 The linear shrinkage can be obtained as a direct reading from the stainless steel shrinkage gauge or calculated as below:

6.1.1 If measured in mm (in.):

$$LS = 100(L_W - L_D) / L_W$$

Where:

$L_W$  = length of the wet soil bar, 127 mm (5 in.)

$L_D$  = length of the dry soil bar, mm (in.)

6.1.2 If measured in percent:

$$LS = L_W - L_D$$

Where:

$L_W$  = length of the wet soil bar, 100%

$L_D$  = length of the dry soil bar, %.

---

## 7. REPORT

7.1 Report to the nearest whole percent.



## Tex-107-E, Determining Bar Linear Shrinkage of Soils Calculation

### Calculation

If measured in Inches:

$$LS = 100 (L_w - L_d) / L_w$$

If measured in percent:

$$LS = L_w - L_d$$

### Where

- LS = Linear shrinkage
- L<sub>w</sub> = Length of the wet soil bar (5" or 100%)
- L<sub>d</sub> = Length of the dry soil bar (in. or %)



---

**Test Procedure for****SIEVE ANALYSIS OF SOILS AND BASE MATERIALS**

TxDOT Designation: Tex-110-E

**Effective Date: April 2024**

---

**1. SCOPE**

- 1.1 Use this test procedure to determine the gradation of embankment (soils), flexible base, and roadway salvaged materials from the roadway or stockpile using standard U.S. sieves.
- 1.2 Use Part I to determine the sieve analysis of material using a mechanical sieve shaker.
- 1.3 Use Part II for the analysis of particle sizes in soils using a hydrometer. This procedure refers to AASHTO T88.
- 1.4 *This test procedure does not claim to address the safety concerns associated with its use. It is the responsibility of the user of this test procedure to establish the appropriate safety, health, and environmental practices and determine the applicability of regulatory limitations before use.*

---

**PART I—SIEVE ANALYSIS OF MATERIAL RETAINED ON THE 425  $\mu$ M (NO. 40) SIEVE**

---

**2. APPARATUS**

- 2.1 Balance, Class G2 in accordance with [Tex-901-K](#), minimum capacity of 35 lb.
- 2.2 Bowls
- 2.3 Mechanical sieve shaker.
- 2.4 Standard U.S. sieves, meeting the requirements of [Tex-907-K](#).
- 2.5 Scoop

---

**3. SAMPLE SIZE**

- 3.1 Use Table 1 to determine the minimum sample weight.
  - 3.1.1 When the nominal maximum size of aggregate is between the sizes listed in the table, use the next larger minimum weight.

Table 1  
Min Sample Weight

Max Aggregate Size <sup>1</sup>	Min Weight <sup>2</sup>
3 in.	12 lb.
2 in.	10 lb.
1-1/2 in.	8 lb.
1 in.	4 lb.
3/8 in.	1 lb.

1. The max aggregate size is the largest sieve size listed in the applicable specification upon which any material can be retained.
2. The min sample weight depends on the maximum aggregate size and the type and number of tests.

## 4. PROCEDURE

- 4.1 Prepare a sample of embankment (soils), flexible base, or roadway salvaged material in accordance with [Tex-101-E, Part I, Dry Preparation, Method A.](#)
- 4.1.1 When the gradation also requires the No. 200 sieve, split or quarter another sample from the material prepared in Section 6.6 of Tex-100-E to determine the percent passing the No. 200 sieve in accordance with test procedure [Tex-111-E.](#)
- 4.1.1.1 Calculate the percent retained on the No. 200 sieve using the equation in Section 4.2 of [Tex-111-E.](#)
- 4.2 Use the total dry sample weight determined from Section 3.2 of test procedure [Tex-101-E, Part I, Dry Preparation, Method A.](#)
- 4.3 Use the sieve sizes required by the applicable specification and arrange a set of sieves in descending order beginning with the sieve with the largest wire opening on top and a pan at the bottom.
- 4.4 Pour the sample into the top sieve and cover the stack of sieves with a lid.
- 4.5 Shake the sample with a mechanical sieve shaker for a minimum of 5 min.
- 4.6 Remove the stack of sieves from the shaker and sieve each sieve-size by hand to refusal.
- 4.6.1 Starting with the largest sieve size, remove the material from the sieve and measure the weight to the nearest 0.1 g or lb. This is the material retained on the individual sieve.
- 4.6.2 Calculate 1% of this weight by multiplying it with 0.01.
- 4.6.3 Place the empty sieve into an empty, clean bowl or pan such that it is beneath the sieve to catch material that passes during hand sieving.
- 4.6.4 Return the material from Section 4.6.1 to the empty sieve and hand sieve it for approximately 1 min. with lateral and vertical motion with a jarring action that keeps the material moving continuously over the surface of the sieve.
- 4.6.5 Remove the sieve and weigh the material in the bowl or pan.
- 4.6.5.1 When this measured weight is less than the weight calculated in Section 4.6.2, add the material from the bowl to the material in the next smaller sieve size.
- 4.6.5.2 Weigh the material retained on the individual sieve to the nearest 0.1 g or lb. and record.

4.6.5.3 Proceed to the next sieve size and repeat Sections 4.6.1 to 4.6.5.2. Continue hand sieving until all the sieves have been shaken to refusal.

4.6.5.4 When the weight in the bowl or pan is more than 1% (Section 4.6.2), add the material from the bowl to the material in the next smaller sieve size and repeat Sections 4.6.1 to 4.6.5.2.

## 5. CALCULATIONS

5.1 Use the following equation to calculate the percent (%) retained for the first (largest) sieve.

$$\% \text{ Retained}_{\text{Largest Sieve}} = 100 \times \left( \frac{W_{\text{Largest}}}{W_{\text{Total}}} \right)$$

Where:

$W_{\text{Largest}}$  = Weight of material retained on the largest sieve size.

$W_{\text{Total}}$  = Total dry sample weight from Section 4.2.

5.2 Use the following equation to calculate the cumulative percent (%) retained for sieves smaller than the first (largest) sieve size.

$$\text{Cumulative \% Retained} = 100 \times \left( \frac{W_{\text{Sum}}}{W_{\text{Total}}} \right)$$

Where:

$W_{\text{Sum}}$  = Sum of the weight of material retained on the sieve and of all the weights retained on the larger sieve sizes.

$W_{\text{Total}}$  = Total dry sample weight from Section 4.2.

5.3 Use the following equation to calculate the individual percent (%) retained for each sieve.

$$\text{Individual \% Retained} = 100 \times \left( \frac{W_{\text{Retained}}}{W_{\text{Total}}} \right)$$

Where:

$W_{\text{Retained}}$  = Weight of material retained on the sieve.

$W_{\text{Total}}$  = Total sample weight from Section 4.2.

## 6. TEST REPORT

6.1 Report the cumulative percent retained on each sieve size to the nearest whole number.

---

## PART II—HYDROMETER ANALYSIS OF SOILS

---

### 7. STANDARD TEST METHOD

7.1 Refer to AASHTO T88.

---

### 8. ARCHIVED VERSIONS

8.1 Archived versions are available.



## Tex-110-E, Particle Size Analysis of Soils Part 1

Sample ID: \_\_\_\_\_

Sieve Size	Cumulative Weight Retained	Individual % Retained	Cumulative % Retained
1 3/4"			
7/8"			
3/8"			
#4			
#40			
- #40			

(- #40 Material from Tex-101-E, Part 1 Method A) = \_\_\_\_\_

Sample ID: \_\_\_\_\_

Sieve Size	Cumulative Weight Retained	Individual % Retained	Cumulative % Retained
1 3/4"			
7/8"			
3/8"			
#4			
#40			
- #40			

(- #40 Material from Tex-101-E, Part 1 Method A) = \_\_\_\_\_

---

## Test Procedure for

# DETERMINING THE AMOUNT OF MATERIAL IN SOILS FINER THAN 75 $\mu\text{M}$ (NO. 200) SIEVE



## TxDOT Designation: Tex-111-E

**Effective Date: August 1999**

---

### 1. SCOPE

- 1.1 This method determines the amount of soil material finer than the 75  $\mu\text{m}$  (No. 200) sieve.
  - 1.2 The values given in parentheses (if provided) are not standard and may not be exact mathematical conversions. Use each system of units separately. Combining values from the two systems may result in nonconformance with the standard.
- 

### 2. APPARATUS

- 2.1 *Drying oven*, maintained at  $110 \pm 5^\circ\text{C}$  ( $230 \pm 9^\circ\text{F}$ ).
  - 2.2 *Balance*
    - Class G1 in accordance with Tex-901-K for samples with a mass of 200 g or less
    - Class G2 in accordance with Tex-901-K for specimens with a mass of greater than 200 g.
  - 2.3 *Containers of sufficient size*, to hold the test sample covered with water and to permit vigorous agitation without inadvertent loss of any part of the sample.
  - 2.4 *Sieves*, meeting the requirements of Tex-907-K, in the following sizes:
    - 425  $\mu\text{m}$  (No. 40)
    - 75  $\mu\text{m}$  (No. 200).
  - 2.5 *Quartering machine, sample splitter or quartering cloth*.
  - 2.6 *Stirring device*, with dispersion cup or soil dispersion tube.
- 

### 3. PROCEDURE

- 3.1 Thoroughly mix the field sample and use a sample splitter or quartering cloth to produce a representative test sample. The test sample should be sufficient in size to produce a dry mass of approximately the sample size indicated in Table 1.
-

- 3.2 Place the test sample in a tared container and dry to a constant mass in the  $110 \pm 5^\circ\text{C}$  ( $230 \pm 9^\circ\text{F}$ ) oven.
- 3.3 Weigh and record the initial mass of the sample as  $W_T$  under Section 4.
- 3.4 Cover the sample completely with clean water in the container and allow to soak for a minimum of two hours (preferably overnight).
- 3.5 Agitate the contents of the container vigorously and pour the washed water immediately over the nested sieves with the 425  $\mu\text{m}$  (No. 40) sieve on top.
- 3.6 Repeat the process of adding clear water to the container, agitate the contents, and keep pouring the wash water over the sieves until the water is clear.
- Note 1**—For soils containing a relative high percentage of material finer than 75  $\mu\text{m}$  (No. 200) sieve, after the initial washing disperse the particles passing the 425  $\mu\text{m}$  (No. 40) sieve in the stirring device for one minute. Return the dispersed sample on to the 75  $\mu\text{m}$  (No. 200) sieve and wash until the wash water is clear. While washing, tap the sieve to expedite the operation.
- 3.7 After the first washing (when the total sample is small), transfer the entire contents of the soaking container to the nested sieves and wash them under running water.
- 3.8 When the sample is larger than can be handled at one time on the nested sieves, wash a portion of the sample and transfer to another container for later drying.
- 3.9 Use a small amount of water to transfer the retained particles to the original container.
- 3.10 Drain off clear water, and dry the container and retained materials in the oven to a constant mass.
- 3.11 Sieve the oven-dried material over the nested sieves, and weigh and record the total mass of the oven-dry materials retained as  $W_R$  under Section 4.

**Table 1—Representative Test Sample Size**

Nominal Size of Largest Particle	Approximate Minimum Dry Mass of Sample, g
2.00 mm (No. 10)	200
4.75 mm (No. 4)	500
19.00 mm (3/4 in.)	1500
25.00 mm (1 in.)	2000
37.50 mm (1-1/2 in.) and larger	2500

---

## 4. CALCULATIONS

- 4.1 Use the following equation to calculate the percentage of material finer than the 75  $\mu\text{m}$  (No. 200) sieve:

$$P = 100(W_T - W_R) / W_T$$

Where:

$W_T$  = initial mass of the oven-dried test sample

$W_R$  = mass of the oven-dried samples retained on the sieves.

---

## 5. REPORT

- 5.1 Report calculations to nearest 0.1%.



---

## Test Procedure for

# BALL MILL METHOD FOR DETERMINING THE DISINTEGRATION OF FLEXIBLE BASE MATERIAL



## TxDOT Designation: Tex-116-E

*Effective Date: June 2000*

---

### 1. SCOPE

- 1.1 This method determines the resistance of aggregate in flexible base material to disintegration in the presence of water. The test provides a measure of the ability of the material to withstand degradation in the road base and detects soft aggregate that is subject to weathering. The result of this test is the Wet Ball Mill (WBM) value.
  - 1.2 The values given in parentheses (if provided) are not standard and may not be exact mathematical conversions. Use each system of units separately. Combining values from the two systems may result in nonconformance with the standard.
- 

### 2. APPARATUS

- 2.1 *Wet Ball Mill machine*, consisting of a watertight steel cylinder, closed at one end, with inside dimensions of  $258.8 \pm 3$  mm ( $10.188 \pm 0.125$  in.) in diameter and  $273.1 \pm 3$  mm ( $10.75 \pm 0.125$  in.) in length.
    - 2.1.1 The cylinder is fitted with a removable lid with watertight gasket attached.
    - 2.1.2 The cylinder is mounted in a rigid support in such a manner that it is rotated about the central axis in a horizontal position.
    - 2.1.3 A steel baffle, projecting radially  $82.6 \pm 3$  mm ( $3.25 \pm 0.125$  in.) into the cylinder and  $273.1 \pm 3$  mm ( $10.75 \pm 0.125$  in.) in length, is welded along one element of the interior surface of the cylinder.
    - 2.1.4 The baffle should be of such thickness and so mounted as to be rigid.
    - 2.1.5 The machine should be operated at a uniform speed of 58–62 rpm.
  - 2.2 *Metal spheres*, used as the abrasive charge, consisting of six steel spheres approximately 47.6 mm (1.875 in.) in diameter, weighing between 390 and 445 g (0.86 and 0.98 lb.)
  - 2.3 *Balance*, Class G5 in accordance with Tex-901-K, with a minimum capacity of 15 kg (33 lb.)
-

- 2.4 *Standard U.S. sieves*, meeting the requirements of Tex-907-K, in the following sizes:
- 45 mm (1 3/4 in.)
  - 31.5 mm (1 1/4 in.)
  - 22.4 mm (7/8 in.)
  - 16.0 mm (5/8 in.)
  - 9.5 mm (3/8 in.)
  - 4.75 mm (No. 4)
  - 2.00 mm (No. 10)
  - 425  $\mu\text{m}$  (No. 40).
- 2.5 *Oven*, air-dryer, with temperature set to  $60 \pm 5^\circ\text{C}$  ( $140 \pm 9^\circ\text{F}$ ).
- 2.6 *Crusher*, (optional).
- 2.7 *Miscellaneous equipment*, includes large pans, wash bottles, etc.
- 2.8 *Container*, 2 L (0.5 gal.)
- 

### **3. TEST RECORD FORM**

- 3.1 Each sample should be given an identification number and a card bearing the number should be placed with each portion of the sample throughout the processing and testing of the material.
- 

## **PART I—DETERMINING DISINTEGRATION**

---

### **4. PROCEDURE**

- 4.1 Secure a representative sample of the total material of approximately 12,000 g (26.5 lb.)
- 4.2 Air-dry the sample at  $60^\circ\text{C}$  ( $140^\circ\text{F}$ ).
- 4.3 Prepare sample in accordance with Tex-101-E, Part II.
- 4.4 Recombine a 5000 g (11 lb.) sample for soil constants testing as shown in the governing specifications if needed.
- 4.5 Replace oversized particles retained on the 45 mm (1-3/4 in.) sieve with particles passing the 45 mm (1-3/4 in.) and retained on the 31.5 mm (1-1/4 in.) sieve.
- 4.6 Recombine a  $3500 \pm 50$  g ( $7.7 \pm 1.1$  lb.) air dried sample, weigh to the nearest whole gram, and record as A under Section 5. Place sample in pan and cover with 2 L (0.5 gal.)
-

water for one hour. If 2 L (0.5 gal.) of water do not fully cover the sample, use the smallest amount of water possible to do so.

**Note 1**—Use the dry sieve analysis as a rough check for specification compliance for gradation prior to testing for soil constants and Wet Ball Mill.

- 4.7 Decant all free water from sample into a 2 L (0.5 gal.) container, finish filling container with clear water and use to wash sample into the mill.
- 4.8 Place the six steel spheres in the mill, fasten the watertight lid securely, and rotate 600 revolutions at the uniform speed of 58–62 rpm.
- 4.9 When the 600 revolutions are completed, remove cover and empty cylinder contents into a pan.
- 4.10 Remove the steel spheres and separate the sample by washing over the 425  $\mu\text{m}$  (No. 40) sieve.
- 4.11 Dry the aggregate portion retained on the 425  $\mu\text{m}$  (No. 40) sieve to a constant mass at 60°C (140°F). Rescreen over the 425  $\mu\text{m}$  (No. 40) sieve. Weigh the mass to the nearest whole gram and record as B under Section 5.
- Note 2**—Additional sieves may be utilized to determine particle size degradation during the test.

---

## 5. CALCULATIONS

- 5.1 Calculate the percentage of the soil binder from the Wet Ball Mill test:

$$\text{Wet Ball Mill Value, WBM} = 100 \cdot (A - B) / A$$

Where:

$A$  = dry weight of total sample

$B$  = weight of retained material.

---

## PART II—DETERMINING INCREASE OF MINUS (-) 425 $\mu\text{m}$ (NO. 40) MATERIAL

---

### 6. PROCEDURE

- 6.1 Recombine approximately 3000 g (6.6 lb.) of the original prepared sample in Section 4.3.
- 6.2 Weigh to the nearest whole gram and record the mass as C under Section 7.
- 6.3 Wash the sample over a 425  $\mu\text{m}$  (No. 40) sieve.

- 6.4 Dry the aggregate portion retained on the 425  $\mu\text{m}$  (No. 40) sieve to a constant weight at 60°C (140°F). Rescreen over the 425  $\mu\text{m}$  (No. 40) sieve and weigh the amount retained to the nearest whole gram. Record the mass as D under Section 7.
- 

## 7. CALCULATIONS

- 7.1 Calculate the original percentage of material passing the 425  $\mu\text{m}$  (No. 40) sieve:

$$\text{Original percentage of minus } (-) 425 \mu\text{m (No. 40) material} = 100 \bullet (C - D) / C$$

Where:

$C$  = original mass of sample

$D$  = mass of material retained on the 425  $\mu\text{m}$  (No. 40) sieve.

- 7.2 Calculate the percent increase of material passing the 425  $\mu\text{m}$  (No. 40) sieve:

$$\text{Percent Increase} = \text{WBM} - \text{Original \% of minus No. 40}$$

---

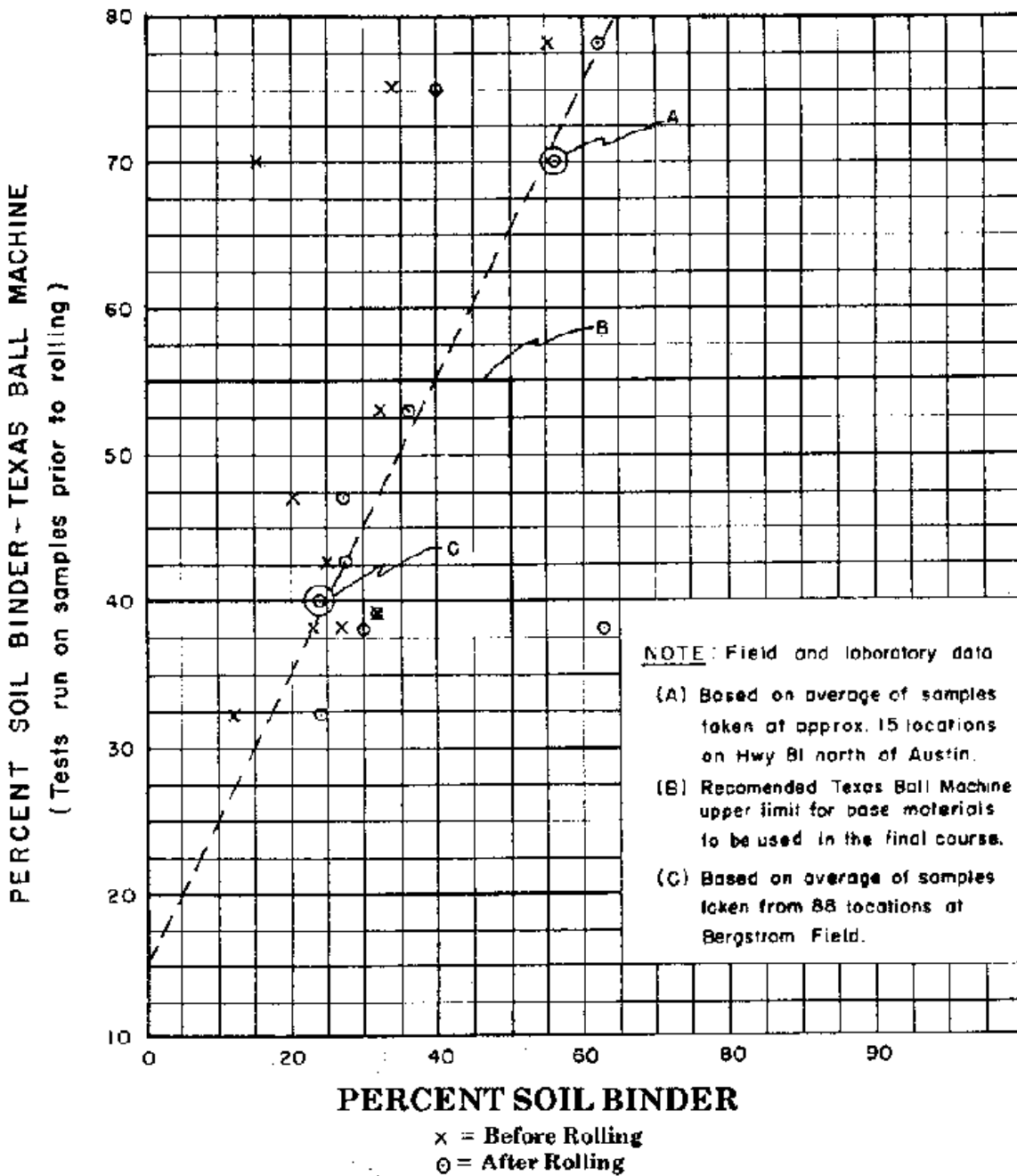
## 8. PRECAUTIONS

- 8.1 Always use dry material in performing test.
- 8.2 Avoid the loss of portions of sample in transferring into or out of cylinder.
- 8.3 Use only 2 L (0.5 gal.) of water to wash the decanted sample into the cylinder.
- 8.4 Check mass of steel spheres periodically for loss due to wear.
- 

## 9. REPORTING TEST RESULTS

- 9.1 Report the Wet Ball Mill value to the nearest whole number.

**Note 3**—This test furnishes valuable supplementary data pertaining to the quality of the aggregate portion of flexible base material. The Wet Ball Mill test is more reliable than the Los Angeles abrasion test in evaluating the quality of base materials.



**Figure 1**—Relation Between Percent Soil Binder from Texas Ball Machine and Percent Soil Binder Before and After Rolling

**10. ARCHIVED VERSIONS**

10.1 Archived versions are available.



## Preparing Samples for Compaction and Triaxial Tests

Sample ID: \_\_\_\_\_

### Tex-101-E, Part II

### Tex-116-E

Sieve Size	Individual Weight Retained	Individual Percent Retained	Cumulative Percent Retained	PART 1 Wet Ball 3500 gr	PART II Increase -#40 3000 gr
1-3/4"					
1-1/4"					
7/8"					
5/8"					
3/8"					
#4					
#40					
- #40					
Total					

#### Part 1: Wet Ball Mill

#### Part II: Washed Sieve Analysis

Initial Weight: \_\_\_\_\_

Initial Weight: \_\_\_\_\_

Sieve Size	Weight Retained (g)	Individual Percent Retained
No. 40		
- No. 40		

Sieve Size	Weight Retained (g)	Individual Percent Retained
No. 40		
- No. 40		

Wet Ball Mill Value: \_\_\_\_\_

Percent Soil Binder: \_\_\_\_\_

% Soil Binder Increase: \_\_\_\_\_

---

## Test Procedure for

# LABORATORY CLASSIFICATION OF SOILS FOR ENGINEERING PURPOSES



## TxDOT Designation: Tex-142-E

**Effective Date: August 1999**

---

### 1. SCOPE

- 1.1 This method is a system for classifying disturbed and undisturbed soils based on laboratory determination of liquid limit, plasticity index, and particle-size characteristics.
    - 1.1.1 This method of soil classification is similar to the ASTM version of the Unified Soils Classification System (USCS). This classification system identifies three major soil groups: coarse-grained soils, fine-grained soils, and highly organic soils.
    - 1.1.2 Based on visual observations and prescribed laboratory tests, a soil is assigned a group symbol(s) and names and thereby classified.
    - 1.1.3 There are other parameters such as unconfined compressive strength, dry unit weight, and water content, which can be used in conjunction with this method to provide detailed description of undisturbed soil samplers.
  - 1.2 The values given in parentheses (if provided) are not standard and may not be exact mathematical conversions. Use each system of units separately. Combining values from the two systems may result in nonconformance with the standard.
- 

### 2. DEFINITIONS

- 2.1 *Plasticity Chart*—A plasticity chart is used to differentiate the plasticity and organic characteristics of the fine-grained soils based on liquid limit (LL) and plasticity index (PI) of the soils.
  - 2.2 *A-Line*—On the plasticity chart, A-line is a sloped line beginning at  $PI = 4$  and  $LL = 25.5$  with an equation of  $PI = 0.73 (LL - 20)$ .
  - 2.3 *Clay*—Clay is a fine grained soil that can be made to exhibit plasticity (putty-like properties) within a range of water contents and that exhibits considerable strength when air dry.
  - 2.4 *Silt*—Silt is soil passing the No. 200 (75  $\mu\text{m}$ ) sieve that is non-plastic or very slightly plastic and that exhibits little or no strength when air dry.
-

- 2.5      *Organic Clay*—Organic clay is a soil that would be classified as a clay except that its LL after oven drying (dry sample preparation) is less than 75% of its LL before oven drying (wet sample preparation).
- 2.6      *Organic Silt*—Organic silt is a soil that would be classified as a silt except that its LL after oven drying (dry sample preparation) is less than 75% of its LL before oven drying (wet sample preparation).
- 2.7      *Peat*—Peat is a soil composed of vegetable tissue in various stages of decomposition usually with a dark brown to black color, a spongy consistency, and a texture ranging from fibrous to amorphous.
- 2.8      *Gravel*—Gravel consists of unconsolidated or loose detrital sediment (aggregate resulting from natural disintegration and abrasion of rock) with particle sizes passing the 3 in. (76.2 mm) sieve and retained on the No. 10 (2.00 mm) sieve.
- 2.9      *Sand*—Sand consists of fine aggregate particles that are retained on the No. 200 (75 μm) sieve, either as natural sand resulting from natural disintegration and abrasion of rock, or as manufactured sand, which is produced by the crushing of rock, gravel, slag, etc.
- 2.10     *Coefficient of Curvature, C<sub>c</sub>*—Coefficient of Curvature is the ratio  $(D_{30})^2 / (D_{10} \bullet D_{60})$ , where D<sub>60</sub>, D<sub>30</sub>, and D<sub>10</sub> are the particle diameters corresponding to 60, 30, and 10% finer on the cumulative particle-size distribution curve, respectively.
- 2.11     *Coefficient of Uniformity, C<sub>u</sub>*—Coefficient of Uniformity is the ratio  $(D_{60}/D_{10})$ , where D<sub>60</sub> and D<sub>10</sub> are the particle diameters corresponding to 60 and 10% finer on the cumulative particle-size distribution curve, respectively.

### 3.            **PREPARING SOIL FOR CLASSIFICATION**

- 3.1            Before a sample can be classified according to this test method, determine the particle-size distribution of the minus 3 in. (75 mm) sieve and minus No. 4 (4.75 mm) sieve material and the soils constants (LL, PL & PI) of the minus No. 40 (425 μm) sieve material.
- 3.2            Use the following test methods to determine these parameters:
- Tex-110-E
  - Tex-104-E
  - Tex-105-E
  - Tex-106-E.
- 3.2.1          Following are the criteria for assigning group symbols and group names using laboratory test results.
- 3.2.1.1        *Coarse-Grained Soil*—More than 50% by dry weight is retained on the No. 200 (75 μm) sieve.



**Table 1—Gravels – More than 50% of Plus No. 200 (75 µm) Retained on the No. 4 (4.75 mm) Sieve**

		Symbol	Group Name
Clean Gravel – less than 5% fines	$Cu \geq 4 \ \& \ 1 \leq Cc \leq 3$	GW	Well-graded gravel
	$Cu < 4 \ \&/or \ 1 > Cc > 3$	GP	Poorly graded gravel
Gravel with fines – 5 to 12% clay fines	$Cu \geq 4 \ \& \ 1 \leq Cc \leq 3$	GW-GC	Well-graded gravel with clay
	$Cu < 4 \ \&/or \ 1 > Cc > 3$	GP-GC	Poorly graded gravel with clay
Gravel with fines – 5 to 12% silt fines	$Cu \geq 4 \ \& \ 1 \leq Cc \leq 3$	GW-GM	Well-graded gravel with silt
	$Cu < 4 \ \&/or \ 1 > Cc > 3$	GP-GM	Poorly graded gravel with silt
Gravel with more than 12% fines	Fines classified as CL or CH	GC	Clayey Gravel
	Fines classified as ML or MH	GM	Silty Gravel

Note: If gravel contains  $\geq 15\%$  sand, add “with sand” after group name. If fines are organic, add “with organic fines” after the group name.

**Table 2—Sands – 50% or More of Plus No. 200 (75 µm) Passes the No. 4 (4.75mm) Sieve**

		Symbol	Group Name
Clean Sands - less than 5% fines	$Cu \geq 6 \ \& \ 1 \leq Cc \leq 3$	SW	Well-graded sand
	$Cu < 6 \ \&/or \ 1 > Cc > 3$	SP	Poorly graded sand
Sand with 5 to 12% clay fines	$Cu \geq 6 \ \& \ 1 \leq Cc \leq 3$	SW-SC	Well-graded sand with clay
	$Cu < 6 \ \&/or \ 1 > Cc > 3$	SP-SC	Poorly graded sand with clay
Sand with 5 to 12% silt fines	$Cu \geq 6 \ \& \ 1 \leq Cc \leq 3$	SW-SM	Well-graded sand with silt
	$Cu < 6 \ \&/or \ 1 > Cc > 3$	SP-SM	Poorly graded sand with silt
Sand with more than 12% fines	Fines classified as CL or CH	SC	Clayey Sand
	Fines classified as ML or MH	SM	Silty Sand

Note: If sand contains  $\geq 15\%$  gravel, add “with gravel” after group name. If fines are organic, add “with organic fines” after group name.

3.2.1.2      *Fine-Grained Soil*—50% or more passes the No. 200 (75 μm) sieve.

**Table 3—Silts and Clays – Liquid Limit Less than 50% & Have Less than 15% Material Retained on No. 200 (75 μm) Sieve**

		<b>Symbol</b>	<b>Group Name</b>
Inorganic	PI > 7 & plots on or above "A" line	CL	Lean Clay
	PI < 4 or plots below "A" line	ML	Silt
	4 < PI < 7 & plots on or above "A" line	CL-ML	Silty Clay
Organic - defined by (LL-oven dried)/(LL-not dried) < 0.75	PI ≥ 4 & plots on or above "A" line	OL	Organic Clay
	PI < 4 or plots below "A" line		Organic Silt

Note: If soil contains 15 to 29% plus No. 200 (75 μm), add "with sand" or "with gravel" after group name, whichever is predominant. If soil contains 30% or more plus No. 200 (75 μm), predominantly sand, add "sandy" before group name. If soil contains 30% or more plus No. 200 (75 μm), predominantly gravel, add "gravelly" before group name.

Examples:

- (CL) lean clay w/sand; lean clay w/gravel; sandy lean clay; sandy lean clay w/gravel; gravelly lean clay; etc.
- (CL-ML) silty clay w/sand; silty clay w/gravel; sandy silty clay; sandy silty clay w/gravel; gravelly silty clay; etc.
- (ML) silt w/sand; silt w/gravel; sandy silt; sandy silt w/gravel; gravelly silt w/sand
- (OL) organic clay w/sand; organic clay w/gravel; sandy organic clay; sandy organic clay w/gravel; etc.
- (OL) organic silt w/sand; organic silt w/gravel; sandy organic silt; sandy organic silt w/gravel; etc.

**Table 4—Silts and Clays – Liquid Limit of 50% or More & Have Less than 15% Material Retained on No. 200 (75 µm) Sieve**

		Symbol	Group Name
Inorganic	PI plots on or above "A" line	CH	Fat Clay
	PI plots below "A" line	MH	Elastic Silt
Organic – defined by (LL-oven dried)/(LL-not dried)<0.75	PI plots on or above "A" line	OH	Organic Clay
	PI plots below "A" line	OH	Organic Silt

Note: If soil contains 15 to 29% plus No. 200 (75 µm), add "with sand" or "with gravel" after group name, whichever is predominant. If soil contains 30% or more plus No. 200 (75 µm), predominantly sand, add "sandy" before group name. If soil contains 30% or more plus No. 200 (75 µm), predominantly gravel, add "gravelly" before group name. (CH) fat clay w/sand; fat clay w/gravel; sandy fat clay; sandy fat clay w/gravel; gravelly fat clay; etc.

Examples:

- (MH) elastic silt w/sand; elastic silt w/gravel; sandy elastic silt; sandy elastic silt w/gravel; etc.
- (OH) organic clay w/sand; organic clay w/gravel; sandy organic clay; sandy organic clay w/gravel; etc.
- (OH) organic silt w/sand; organic silt w/gravel; sandy organic silt; sandy organic silt w/gravel; etc.

## 4. PROCEDURE

4.1 Determine the LL, PL, and PI of the soil in accordance with:

- Tex-104-E
- Tex-105-E
- Tex-106-E.

4.2 Determine the water content of the soil in accordance with Tex-103-E.

4.3 Determine the amount of material passing the No. 200 (75 µm) sieve in accordance with Tex-110-E for fine-grained soil, or Tex-401-A for coarse-grained soil.

4.4 Determine the particle size distribution of the materials retained on the No. 200 (75 µm) sieve in accordance with Tex-406-A decantation tests for concrete aggregates.

4.5 Use Figure 1, LL, PI, percent material passing the No. 200 (75 µm) sieve, and Cu and Cc, and classify the soil with group name and description with group symbol.

**Note 1**—Other than soil constants and particle size distribution, there are other engineering properties that can be measured in either the field or laboratory in conjunction with this classification system to provide a more complete description of the soil characteristics.

**Note 2**—In general, there is a close correlation among the soil classification and the engineering properties such as consistency, density, water content, and dry unit weight. When available, this information should be used in conjunction with soil classification to aid in the evaluation of the soil's significant properties for engineering use.

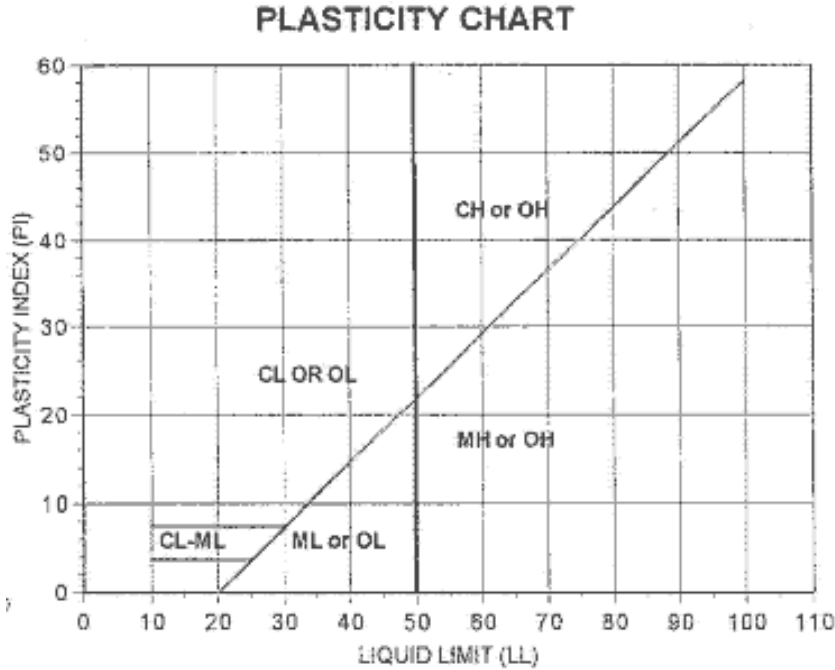


Figure 1—Plasticity Chart

**5. CONSISTENCY**

5.1 The consistency of a predominantly clay and/or silt is defined by its unconfined compressive (UC) strength when tested in the laboratory under the normal moisture condition in an undisturbed condition. Typically, one would find higher water content associated with lower unconfined compressive strength or softer material, and lower water content associated with a higher unconfined compressive strength or harder material.

5.2 Table 5 classifies soil by unconfined compressive strength.

Table 5—Soil Consistency

UC kg/cm2 (tsf)	Consistency
less than 0.25	Very Soft
0.25 to 0.5	Soft
0.5 to 1.0	Medium Stiff
1.0 to 2.0	Stiff
2.0 to 4.0	Very Stiff
greater than 4.0	Hard

**6. DENSITY**

6.1 Soil density as typically measured by the N-Value of in-situ Standard Penetration Test (SPT) or the Texas Cone Penetration Test (TCP) is an indication of the relative compactness and bearing capacity of a predominantly granular material such as sand, clayey sand, silty sand, and gravelly material. The water content of a granular material is mostly unimportant because the bearing strength is independent of water content, and the water content of a disturbed sample is not representative of the material.

6.2 Table 6 classifies soil by density.

**Table 6—Soil Density**

SPT N Value	TCP Blows/0.3 m (12 in.)	Density
less than 4	less than 8	Very Loose
4 to 10	8 to 20	Loose
10 to 30	20 to 60	Medium Dense
30 to 50	60 to 100	Dense
Greater than 50	greater than 100	Very Dense

**7. DRY UNIT WEIGHT**

7.1 Dry unit weight of the material usually increases with decreasing plasticity and/or increasing percentage of coarse-grained particles in the soils. One can usually find a higher than usual water content and lower dry unit weight in an organic material. The more plastic material such as clay has a greater propensity to hold water and therefore has a higher water content and lower dry unit weight.

7.2 Table 7 indicates the dry unit weight for soil types.

**Table 7—Dry Unit Weight for Soil Types**

Dry Unit Weight Kg/m3 (pcf)	Soil Type (Group Symbol)
0.77–1.03 (60–80)	Organic Clay (OH)
1.03–1.22 (80–95)	Clay (CH)
1.16–1.35 (90–105)	Clay (CL)
1.22–1.42 (95–110)	Sandy Clay (CL)
1.29–1.55 (100–120)	Clayey Sand (SC)

## Test Procedure for

**SAMPLING AGGREGATE AND STONE RIPRAP**

TxDOT Designation: Tex-400-A

Effective Date: **December 2023****1. SCOPE**

- 1.1 Use this test procedure for sampling completed stockpiles of coarse and fine aggregate used to produce concrete and retaining wall select backfill, and stone riprap. This procedure may also be used to sample concrete aggregate during production when stored in bays or stockpiles that are not accessible in three directions.
- 1.2 Use this test procedure to sample completed coarse or fine aggregate stockpiles and materials using a front-end loader or shovel. The preference for sampling is to use a front-end loader. Only use a shovel where a front-end loader is not available.
- 1.3 *This test procedure does not claim to address the safety concerns associated with its use. It is the responsibility of the user of this test procedure to establish the appropriate safety, health, and environmental practices and determine the applicability of regulatory limitations before use.*

**2. APPARATUS**

- 2.1 Sample bags or buckets with lids.
- 2.2 Square-Tip Shovel.

**3. SAMPLE SIZE**

- 3.1 Use **Table 1 from Section 3.3** to determine the minimum sample size to perform the required tests listed in the applicable specification.
- 3.2 Obtain samples that show the true nature and condition of the materials that they represent. Do not combine materials that apparently differ in property or character to make a composite sample. Differences may be indicated by color or texture.
- 3.3 Use a sample splitter or quartering cloth to reduce the field sample to laboratory test size.

**Table 1**  
**Minimum Field Sample Size**

Nominal Max Size of Aggregate <sup>1</sup>	Mini Weight of Field Samples <sup>2</sup> (lbs.)
3 in.	330
2-1/2 in.	275
2 in.	220
1-1/2 in.	165
1 in.	110
3/4 in.	55
1/2 in.	35
3/8 in.	25
No. 4	25
No. 8	25

1. The Max aggregate size is the largest sieve size listed in the applicable specification upon which any material can be retained.
2. The Min sample weight depends on the Max aggregate size and the type and number of tests required.

#### 4. SAMPLING AGGREGATE STOCKPILES USING A FRONT-END LOADER

- 4.1 Determine the minimum number of samples required for acceptance based on TxDOT’s Guide Schedule frequency for concrete or retaining wall select backfill.
  - 4.1.1 There is no minimum number of samples required for quality control testing.
- 4.2 Identify the sampling locations by dividing the stockpile in approximately equal sectors based on the number of samples determined from Section 4.1. Aggregate must be sampled from a minimum of two sectors or different locations for acceptance.
- 4.3 Clean and level the ground at the sampling location to prevent contamination of the sampling pile.
- 4.4 Cut approximately at the ground level to the top edge of the stockpile until a clean face is exposed. This represents the full height of the stockpile.
  - 4.4.1 The exposed vertical face should be perpendicular to the top edge of the stockpile, but this may not be entirely possible with stockpiles of dry, coarse aggregates.
- 4.5 Discard the aggregate cut away while exposing the clean face.
- 4.6 Build a sample pad by cutting into the vertical face at the ground level to the full height of the stockpile to obtain aggregate.
- 4.7 Lower the bucket as close as possible to the ground to avoid segregation and empty the entire contents of the bucket in one motion onto the ground.
- 4.8 Using the loader bucket, strike and level the sample pad at mid-height in the direction the bucket was emptied to create a flat surface for sampling. Back-drag the sampling pad only once.
- 4.9 Divide the sample pad into four quadrants of similar size.
- 4.10 Place clean sample bags or containers near the center of the sampling pad and obtain the sample across the flat area staying more than 1 ft. away from the edges.
- 4.11 Sample equal amounts of aggregate from each quadrant.

- 4.11.1 Fully insert a square-tip shovel as near as vertical as possible and then slowly roll the shovel back and lift slowly to avoid coarse aggregate rolling off the sides of the shovel.
- 4.11.2 Spade-tip shovels are not allowed for sampling because they will not prevent aggregate from rolling off the side of the shovel.
- 4.12 Place the aggregate into the clean sample bags or containers.
- 4.13 Seal and label the sample bags or containers.
- 4.14 Repeat Section 4.4 – 4.13 for each additional location as determined from Section 4.2.
- 

## 5. SAMPLING AGGREGATE FROM STOCKPILES USING A SHOVEL

- 5.1 Use this procedure to sample completed stockpiles of coarse or fine aggregate using a shovel where a front-end loader is not available. The preference for sampling is to use a front-end loader.
- 5.2 Determine the minimum number of samples required for acceptance based on TxDOT's Guide Schedule frequency for concrete or retaining wall select backfill.
- 5.2.1 There is no minimum number of samples required for quality control testing.
- 5.3 Identify the sampling locations by dividing the stockpile in approximately equal sectors based on the number of samples determined from Section 5.2. Aggregate must be sampled from a minimum of two sectors or different locations for acceptance.
- 5.4 Identify locations within each sector from the top third, at the mid-point, and bottom third of the stockpile. Sampling must be performed in no less than these three increments.
- 5.5 Dig a small trench into the stockpile at each location approximately 1 ft. deep and 3 ft. in diameter.
- 5.6 A board may be shoved vertically into the stockpile just above the point of sampling to prevent segregation from coarser aggregate rolling down during sampling.
- 5.7 Do not use the aggregate removed from the trenched area as a part of the sample.
- 5.8 Shovel aggregate from the stockpile into clean sample bags or containers from the innermost part of the trench. Minimize larger sized aggregate falling back into the trench.
- 5.8.1 When sampling sands, sampling tubes of at least 1-1/4 in. diameter may be used where experience has indicated representative samples cannot be obtained otherwise.
- 5.9 Seal and label the sample bags or containers.
- 5.10 Repeat Section 5.4 – 5.9 for each additional location as determined from Section 5.2.
- 

## 6. SAMPLING AGGREGATE DURING CONCRETE PRODUCTION AT MIXING PLANT AND SITE.

- 6.1 Use this procedure to sample coarse or fine aggregate at concrete mixing plants and sites during production from bays or stockpiles that are not accessible in three directions and for Optimized Aggregate Gradation



(OAG) concrete. The preference for sampling is to use a front-end loader. Only use a shovel when a front-end loader is not available.

- 6.2 Identify the center of the open face of the aggregate bay.
  - 6.3 Sample at this location using a front-end loader according to Section 4.
  - 6.4 Sample at this location using a shovel when a front-end loader is not available according to Sections 5.
  - 6.5 Sample at additional locations when the face of the open bay or face of the stockpile is significantly wide. Chose a minimum of two locations approximately equal offset from the center.
- 

## **7. SAMPLING FLEXIBLE BASE STOCKPILES**

- 7.1 Refer to [Tex-100-E](#), Section 4.
- 

## **8. PREPARING FLEXIBLE BASE SAMPLES FOR TESTING**

- 8.1 Refer to [Tex-100-E](#), Section 6.
- 

## **9. SAMPLING STONE RIPRAP**

- 9.1 Obtain six to eight pieces of the stone riprap that is representative of the size of the riprap.
  - 9.2 Crush or break down the entire sample to a maximum particle size of 6 in.
  - 9.3 Select approximately 275 lbs. of the riprap and place into sample bags or containers.
  - 9.4 Seal and label the sample.
- 

## **10. ARCHIVED VERSIONS**

- 10.1 Archived versions are available.

---

**Test Procedure for****SAMPLING AND TESTING LIME****TxDOT Designation: Tex-600-J****Effective Date: February 2006**

---

**1. SCOPE**

1.1 This method, divided into five parts, describes the sampling and testing of the following materials:

- hydrated lime,
- quicklime,
- commercial lime slurry, and
- carbide lime slurry.

1.2 The values given in parentheses (if provided) are not standard and may not be exact mathematical conversions. Use each system of units separately. Combining values from the two systems may result in nonconformance with the standard.

---

**PART I—SAMPLING LIME PRODUCTS**

---

**2. SCOPE**

2.1 This part covers the sampling of lime in powdered form as:

- bulk hydrated lime discharged from tank trucks,
  - bagged hydrated lime, as bagged hydrate from bag trucks being loaded, or from bagged shipments after delivery to warehouse or jobsite,
  - quicklime in crushed or pebble form, discharged from tank trucks,
  - commercial lime slurry, a mixture of hydrated lime solids in water, from a sampling port at the plant site or in the distributor truck, and
  - carbide lime slurry, a mixture of hydrated carbide lime solids in water, from a distributor truck.
- 

**3. APPARATUS**

3.1 *Bulk Hydrated Lime:*

3.1.1 *Paint brush, 2 in. wide.*

---

- 3.1.2 *Bucket*, 1 gal., with double friction type lid and bail.
- 3.1.3 *Top hatch sampling device*, consisting of a 9-ft. length of 1.5-in. IPS PVC 1120 plastic pipe of SDR 1.10 MPa (26,160 psi), meeting ASTM D 2241:
  - 3.1.3.1 Fit the pipe at one end with a rubber stopper drilled with a 0.25-in. diameter hole.
  - 3.1.3.2 Cement the stopper in place using a standard adhesive epoxy.
  - 3.1.3.3 Spot-weld a hook to a 3 × 2-in. half-round plate of 12-gauge steel. Rivet and cement the plate with epoxy to the rubber stopper end of the pipe.
  - 3.1.3.4 The 3-in. long metal hook has a 0.5 × 0.75 in. doubled over section, with a 0.25-in. slot.
  - 3.1.3.5 The opening of the hook should face away from the rubber stopper.
  - 3.1.3.6 The hook will catch the bucket bail, so the sampler can lower the bucket and pipe to the ground. This allows the sampler to alight from the truck safely.
- 3.1.4 *Bottom sampling tube*, consisting of two concentric plastic pipes:
  - 3.1.4.1 The outer pipe is 126 in. long, 1.5 in. inside diameter, IPS PVC plastic pipe, fitted at one end with a tip made from a 7.5-in. length of solid aluminum round stock, 1-5/8 in. in diameter, tapered to a point along 6.5 in. of its length, inserted 1 in. into the tube, and fastened with two screws through the wall of the pipe into tapped holes on either side of the tip.
    - 3.1.4.1.1 Round the point of the tip to a 0.5-in. diameter point for safety.
    - 3.1.4.1.2 Use an adhesive epoxy to mold an epoxy tip in a metal, foil, or cardboard mold.
  - 3.1.4.2 The inner pipe is a 1.25-in. IPS PVC plastic pipe, measuring 10 ft. long.
    - 3.1.4.2.1 Slip this pipe inside the outer pipe. It will extend beyond the outer pipe at the upper end forming a handle to allow the sampler to rotate the inner tube within the outer tube.
    - 3.1.4.2.2 Cut a 1.25 in. wide × 12 in. long sampling port through both pipes 1.5 in. from the lower, plugged end.
    - 3.1.4.2.3 Create index marks on the outside of the outer and inner pipes at the upper end labeled “open” and “closed” to indicate the relative position of the opening in the inner pipe to that of the outer.
- 3.2 *Bagged Hydrated Lime:*
  - 3.2.1 *Paint brush*, 2 in. wide.
  - 3.2.2 *Bucket*, 1 gal., with double friction type lid and bail.
  - 3.2.3 *Bag sampling tube*, made from 0.75-in. diameter steel electrical conduit 3 ft. long. Taper the opening at one end with a 4-in. diagonal cut.

- 3.3 *Quicklime:*
  - 3.3.1 *Safety goggles.*
  - 3.3.2 *Respirator.*
  - 3.3.3 *Rubber gloves.*
  - 3.3.4 *Paint brush, 2 in. wide.*
  - 3.3.5 *Bucket, 1 gal., with double friction type lid and bail.*
  - 3.3.6 *Device designed to hold a sample bucket between the wheel path of a bulk transport discharging quicklime, without allowing the bucket to turn over, but permitting safe, easy removal of the container from the windrow with the sample intact. One suggested design:*
    - 3.3.6.1 *From 0.75-in. plywood, cut into three squares: 18 in., 14 in., and 10 in.*
    - 3.3.6.2 *Cut holes to closely fit the 1-gal. sample bucket in the centers of the smaller two plywood squares.*
    - 3.3.6.3 *Center the 10-in. board on top of the 14-in. board, and fasten them together.*
    - 3.3.6.4 *Center these on top of the 18-in. board, and fasten together.*
    - 3.3.6.5 *To a corner of this unit, fasten an 8-ft. length of 1/8-in. diameter flexible, steel cable.*
    - 3.3.6.6 *To the other end of the cable, attach a 10-in. length of steel conduit or wooden dowel as a "T" handle used to slide the filled bucket from windrowed quicklime.*
  - 3.3.7 *Plastic sample bag, 18 × 9.5 in.—General Warehouse No. 2005000.*
- 3.4 *Commercial Lime Slurry and Carbide Lime Slurry:*
  - 3.4.1 *Safety goggles.*
  - 3.4.2 *Polyethylene bottle, 1/2 gal., large mouth (3.5-in. diameter), with a screw cap—Nalgene Company No. 2234-0020.*
  - 3.4.3 *Plastic electrical tape, PVC 0.75 in. wide.*
  - 3.4.4 *Cloth rag or shop towel.*

---

## 4. SAMPLING PROCEDURES

### 4.1 Hydrated Lime:

#### 4.1.1 Bulk from Loaded Tank Trucks:

**WARNING:** The Contractor pressurizes the trucks for unloading, and any attempts to open a pressurized top hatch could be fatal. Therefore, the Contractor should make the load available for sampling before pressurization with top hatches open. If the truck offered for sampling is pressurized, it is the Contractor's responsibility to bleed off the pressure and open the top hatches.

4.1.1.1 Randomly select a truck to sample. The preferred sampling method is rodding material from the truck through an open hatch before the truck is pressurized. Use the top hatch, sampling device or the bottom sampler.

4.1.1.2 The top hatch device samples the upper portion of the load through the top hatches of a bulk transport.

4.1.1.2.1 Insert the unit with the air hole in the rubber stopper open.

4.1.1.2.2 When withdrawing the tube, hold the hole shut with a thumb.

4.1.1.2.3 Place the sample in a 1-gal. bucket.

4.1.1.2.4 Collect at least a 1/2-gal. sample.

4.1.1.3 Use the bottom sampler to obtain bottom samples or to take samples at various levels within the truck.

4.1.1.3.1 Insert the device at the sampling level desired with its port closed.

4.1.1.3.2 Open the port, slide the tube back and forth, and then close the port.

4.1.1.3.3 Remove the tube.

4.1.1.3.4 To release the lime from the tube into the 1-gal. bucket, tap the device, and allow the lime to exit from the top end.

4.1.1.3.5 Collect at least a 1/2-gal. sample.

4.1.1.4 Use the paintbrush to clear the sample bucket rim of lime collected during sampling. This will ensure an effective seal and preserve the quality of the lime sample.

**Note 1**—Exposure to the atmosphere contaminates lime.

- 4.1.1.5 If unable to sample the material in the truck before unloading, then use another sampling method, provided the sample is representative and not contaminated by moisture, base, or other road material. These less desirable methods include:
- scoop samples obtained through open top hatches,
  - as discharged from tank trucks,
  - hose discharge, and
  - dry application “catch-pan” method.
- Note 2**—Do not scoop samples from material applied on roadway due to likelihood of contamination.
- 4.1.1.6 Identify the truck on the sample ticket by seal number, name of producer, and date sampled. Never combine samples from separate trucks.
- 4.1.2 *Bagged from Bag Trucks:*
- 4.1.2.1 Sample at least six sacks to represent each truck delivery.
- 4.1.2.2 Sample at least four to six sacks from each inspected lot and combine the material to form a composite sample representing that lot.
- 4.1.2.3 Take samples from the separate lots that comprise the whole if the entire lot consigned for an individual truck is from several different warehouse lots.
- 4.1.2.4 Insert the bag sampling tube through the sack-loading spout and take sufficient diagonal roddings, to ensure a representative portion from each sack without significantly reducing the volume. Take care not to puncture the sack with the sampling tube. Place samples in a 1-gal. bucket.
- 4.1.2.5 Use the paintbrush to clear the sample bucket rim of lime collected during sampling. This will ensure an effective seal and preserve the quality of the lime sample.
- Note 3**—Exposure to the atmosphere contaminates lime.
- 4.1.3 *Bagged from Bagged Shipments:*
- 4.1.3.1 Use the bag sampling tube described in Section 3.1.5.3 to obtain a 1/2-gal. sample from at least six sacks of material.
- 4.1.3.2 Select sacks for sampling from various points in the load or shipment to collect a representative sample.
- 4.1.3.3 Insert the bag sampling tube through the sack-loading spout and take sufficient diagonal roddings to ensure a representative portion from each sack without materially reducing the poundage. Take care not to puncture the bottom or sides of the sack with the sampling tube. Place samples in a 1-gal. bucket.
- 4.1.3.4 Use the paintbrush to clear the sample bucket rim of lime collected during sampling. This will ensure an effective seal and preserve the quality of the lime sample.

**Note 4**—Exposure to the atmosphere contaminates lime.

4.2 *Quicklime:*

**WARNING:** Quicklime is extremely hazardous and capable of inflicting severe caustic burns to skin, lung damage, eye injury, and even blindness if handled improperly. Personnel handling, sampling, or testing quicklime should wear proper protective clothing, respirators, dust-proof goggles, and waterproof gloves.

4.2.1 *Discharged from Tank Trucks:*

4.2.1.1 Instruct the truck to pass over a collection device while unloading.

**Caution:** Quicklime generates fines in transit. Since air-blown quicklime fines are hazardous, quicklime is usually unloaded at the jobsite by gravity feed through ports at the bottom of each compartment on the truck. Most trucks are equipped with three or four such compartments, opened simultaneously to discharge the quicklime.

4.2.1.2 Collect samples from the midpoint of the unloading of the truck.

**Note 5**—Specifications limit the amount of fines in the sample and include sizing requirements. The sizing and gradation of the sample taken must be representative of the load. Quicklime fines tend to settle to the bottom of the compartments, and the initial discharge usually contains a higher percentage than the remainder of the load. The top of the load tends to contain the coarsest material. The center of the discharge run best represents the gradation of the entire load.

4.2.1.3 Pick up the collection device and carefully transfer the entire sample to a plastic sample bag. Close and seal the bag with tape or rubber band and place in a 1-gal. bucket for transport. Label the bucket as “caustic quicklime.”

4.2.1.4 Ship samples by motor freight only.

**CAUTION:** Do not ship by bus, parcel post, air, or rail. This is a hazardous material, which upon contact with water and combustibles can cause fires. For this and other safety-related reasons, the carriers listed have refused to accept the material for shipment.

4.2.2 *From Tank Trucks:*

4.2.2.1 Collect samples from the top of the trucks. Dig below the surface of the pebble quicklime at least 8 in. and scoop a sample with a 1-gal. bucket. A sample should be a minimum of 3/4 gal.

4.2.2.2 Carefully transfer the entire sample to a plastic sample bag. Close and seal the bag with tape or rubber band and place in a sample bucket for transport. Label the bucket as “caustic quicklime.”

4.2.2.3 Ship samples by motor freight only.

**CAUTION:** Do not ship by bus, parcel post, air, or rail. This is hazardous material, which, upon contact with water and combustibles, can cause fires. For this and other safety-related reasons, the carriers listed have refused to accept the material for shipment.

### 4.3 *Commercial Lime Slurry:*

#### 4.3.1 *From the Truck:*

4.3.1.1 Draw the sample from the permanent sampling port located concentrically at the rear of the truck.

**Note 6**—The sampling port consists of a 0.5 in.-minimum, quick acting valve fitted to a 0.75-in. diameter pipe and outlet spout.

4.3.1.2 Open the sampling valve quickly and completely during sampling.

4.3.1.3 Half fill the plastic sample jug to permit agitation and testing.

4.3.1.4 Tightly seal the jug and tape the cap to avoid leakage during transport.

4.3.1.5 Take one sample to represent the truckload.

4.3.1.6 A Department representative must witness sampling.

**Note 7**—It is the sole responsibility of the truck driver to sample, cap, and seal the slurry sample upon direct request from a Department representative.

#### 4.3.2 *From the Plant:*

4.3.2.1 Collect a sample from the sampling valve in the vertical riser from the slurry tank to the loading spout.

4.3.2.2 Half fill the plastic sample jug to permit agitation and testing.

4.3.2.3 Tightly seal the jug and tape the cap to avoid leakage during transport.

4.3.2.4 Take one sample to represent the truckload.

4.3.2.5 A Department representative must witness sampling.

### 4.4 *Carbide Lime Slurry:*

#### 4.4.1 *From the Truck:*

4.4.1.1 Draw the sample from the permanent sampling port located concentrically at the rear of the truck.

**Note 8**—The sampling port consists of a 0.5-in. minimum, quick acting valve fitted to a 0.75-in. diameter pipe and outlet spout.

4.4.1.2 Open the sampling valve quickly and completely during sampling.

4.4.1.3 Half fill the plastic sample jug to permit agitation and testing.

4.4.1.4 Tightly seal the jug and tape the cap to avoid leakage during transport.



4.4.1.5 Take one sample to represent the truckload.

4.4.1.6 A Department representative must witness the sampling.

**Note 9**—It is the sole responsibility of the truck driver to sample, cap, and seal the slurry sample upon direct request from a Department representative.

---

## PART II—TESTING HYDRATED LIME

---

### 5. SCOPE

5.1 This part discusses the method for testing high-calcium type hydrated lime. This method assumes the presence of the following constituents in the lime:

- calcium hydroxide,
- calcium oxide or water,
- calcium carbonate, and
- inert matter such as silica dioxide.

---

### 6. APPARATUS

6.1 *Electric muffle furnace*, at  $2,000 \pm 20^\circ\text{F}$  ( $1093 \pm 11^\circ\text{C}$ ).

6.2 *Platinum crucibles*, low-form, wide-bottom type, 30 cc capacity. Only substitute with ceramic crucibles if the crucibles are able to withstand temperatures of  $2,000^\circ\text{F}$  ( $1093^\circ\text{C}$ ).

6.3 *Tongs*, for use with muffle furnace, 20-in. length.

6.4 *Hard-surfaced temperature resistant board*.

6.5 *Oven*, capable of maintaining a temperature of  $212^\circ\text{F}$  ( $100^\circ\text{C}$ ).

6.6 *Vacuum desiccator*.

6.7 *Silica-gel desiccant, indicating type*.

6.8 *Analytical balance*, Class A in accordance with Tex-901-K, for rapid weighing, with a minimum weighing capacity of 100 g.

6.9 *Top loading balance*, Class G1 in accordance with Tex-901-K, for rapid weighing, with a minimum weighing capacity of 2000 g.

6.10 *Weighing boats*.

6.11 *Spatula*.

6.12 *Balance brush*, camel's hair type.

- 6.13 *Tall form beakers*, 400 mL, borosilicate type glass.
- 6.14 *Beaker*, 200 mL.
- 6.15 *Buret*, class A, of the following types:
- 100-mL capacity, with a 50-mL bulb at the top and a 50-mL graduated tube
  - 50-mL capacity with 0.1-mL subdivisions.
- 6.16 *Flasks*, class A volumetric, with the following capacities:
- 250 mL
  - 1000 mL.
- 6.17 *Graduated cylinders*, with the following capacities:
- 100 mL
  - 200 mL
  - 1000 mL
  - 2000 mL.
- 6.18 *Stirrer*, magnetic type.
- 6.19 *Stopwatch*, to register up to 30 min.
- 6.20 *Plastic tubing*, 3/8-in. ID, 1/8-in. wall thickness of suitable length, fitted with a Bunsen “fan-type” burner attachment at the outlet end of the hose.
- 6.21 *Water pressure gauge*, 0–30 psi, 3-in. diameter face, with 0.375-in. IPS female thread fitting.
- 6.22 *Standard U.S. sieves*, meeting the requirements of Tex-907-K, in the following sizes:
- No. 6
  - No. 30.
- 6.23 *pH meter*, with an accuracy of  $\pm 0.1$  pH unit or better, with automatic temperature compensation and standard combination type electrode.
- 6.24 *pH meter reference electrode filling solution*, KCl, 4 M saturated with AgCl.
- 6.25 *Sample vial*, 1-3/4-in. diameter  $\times$  3-in. high vial made of clear polystyrene with a tight fitting polyethylene cap.
- 6.26 *Plastic bottle*, 19 L, for storing 1.0 N sodium hydroxide.
- 6.27 *Glass bottle*, 19 L, for storing 1.0 N hydrochloric acid.

---

## 7. REAGENTS

7.1 Use the following reagents, which all must be American Chemical Society (ACS) reagent-grade:

- potassium hydrogen phthalate
- bromophenol blue
- ethyl alcohol
- hydrochloric acid (HCl), 36.5 to 38.0%
- phenolphthalein powder
- sodium tetraborate decahydrate
- sodium hydroxide (NaOH), 50% solution.

---

## 8. SOLUTIONS

8.1 *Sodium Hydroxide 1.0 N:*

8.1.1 *Preparation:*

8.1.1.1 Fill a 19-L plastic container 1/2–2/3 full with de-ionized water.

8.1.1.2 Add 967.6 mL of 50% sodium hydroxide solution.

**Note 10**—Add the sodium hydroxide solution to a sizable portion of water to dissipate the heat evolved and to avoid hazardous spattering.

8.1.1.3 Mix for 5–10 min.

8.1.1.4 Bring to 18.5 L mark on the container.

8.1.1.5 Stir for at least 6 hr., but preferably 12 hr.

8.1.1.6 Standardize with potassium hydrogen phthalate.

8.1.2 *Standardization of a  $1.0 \pm 0.0005$  N sodium hydroxide solution:*

8.1.2.1 Transfer 50 mL of the sodium hydroxide solution into a 50-mL buret.

8.1.2.2 Weigh 7.5–8.5 g of potassium hydrogen phthalate onto a weighing boat. Record the weight to the nearest 0.0001 g.

8.1.2.3 Transfer the weighed material to a 400-mL tall-form beaker.

8.1.2.4 Add 185 mL of deionized water and mix with a magnetic stir bar. Stir the solution until all of the potassium hydrogen phthalate dissolves.

8.1.2.5 Add five drops of phenolphthalein indicator solution.

- 8.1.2.6 Titrate with the sodium hydroxide solution to a visual endpoint of light pink, which will persist for at least 60 sec.
- 8.1.2.7 Record the amount of sodium hydroxide used.
- 8.1.2.8 Calculate the normality. If the normality is not within the limits  $1.000 \pm 0.0005$  N, add water or sodium hydroxide to adjust the normality.
- 8.1.2.9 If the sodium hydroxide solution is too:
- weak, follow “Example 1” below to calculate the amount of the 50% sodium hydroxide to add.
  - strong, follow “Example 2” below to calculate the amount of deionized water to add.
- 8.1.2.10 Measure and add the correct amount of sodium hydroxide or deionized water. Stir the solution for at least 4 hr.
- 8.1.2.11 Repeat the standardization procedure. Repeat adjustments, if necessary. After all adjustments are complete, standardize the resulting solution.
- 8.1.3 *Calculations:*
- 8.1.3.1 Calculate the normality of sodium hydroxide solution:
- $$\text{Normality of NaOH} = \frac{\text{Wt. of Potassium Hydrogen Phthalate in (g)}}{\text{mL of NaOH required} \times 0.204228}$$
- 8.1.3.2 Adjusting the sodium hydroxide solution to achieve a 1.0 N solution:
- 8.1.3.2.1 Example 1: If base is too weak, for example, if 18.5 L of 0.9907 N solution needs strengthening to 1.0000 N, calculate the amount of 50% sodium hydroxide to add:
- $18.500 \times 0.991 = 18.334$
  - $18.500 - 18.334 = 0.166$
  - $0.166 \times 52.3 = 8.68$  mL of 50% sodium hydroxide solution needed.
- 8.1.3.2.2 Example 2: If base is too strong, for example, if the 18.5 L of 1.021 N sodium hydroxide solution needs weakening to 1.0000 N, calculate the amount of deionized water to add:
- $18.500 \times 1.021 = 18.888$
  - $18.888 - 18.500 = 0.388$  L or 388 mL of deionized water needed.
- 8.2 *1.0 N Hydrochloric Acid Solution:*
- 8.2.1 *Preparation:*
- 8.2.1.1 Fill a 19-L glass container 1/2–2/3 full with deionized water.

- 8.2.1.2 Add 1625 mL of concentrated hydrochloric acid.  
**Note 11**—It is important to add the acid to a sizable portion of water to dissipate the heat evolved and avoid hazardous spattering of hot acid, fuming, etc.
- 8.2.1.3 Add sufficient water to bring the total volume to 19 L.
- 8.2.1.4 Stir the solution at least 4 hr., but preferably 12 hr.
- 8.2.1.5 Standardize against the sodium hydroxide.
- 8.2.2 *Standardization of a  $1.0 \pm 0.0005$  N hydrochloric acid solution:*
- 8.2.2.1 Transfer 40 mL of the hydrochloric acid solution into a 400-mL tall beaker using a pipette for accuracy.
- 8.2.2.2 Add 140 mL of deionized water.
- 8.2.2.3 Add five drops of phenolphthalein indicator.
- 8.2.2.4 Fill a 50-mL buret with 1.0 N sodium hydroxide solution. Titrate hydrochloric acid with the sodium hydroxide solution to a visual endpoint of light pink, which will persist for at least 60 sec. Record the amount of the sodium hydroxide solution used.
- 8.2.2.5 Calculate the normality. If the normality is not within the limits of  $1.000 \pm 0.0005$  N, add hydrochloric acid or water to adjust the normality.
- 8.2.2.6 If the hydrochloric acid solution is too:
- weak, follow “Example 1” below to calculate the amount of the concentrated hydrochloric acid to add.
  - strong, follow “Example 2” below to calculate the amount of deionized water to add.
- 8.2.2.7 Measure and add the correct amount of hydrochloric acid or deionized water. Stir the solution for at least 2 hr.
- 8.2.2.8 Repeat the standardization procedure. Repeat adjustments, if necessary. After all adjustments are complete, standardize the resulting solution.
- 8.2.3 *Calculations:*
- 8.2.3.1 Calculate the normality of hydrochloric acid solution:

$$\text{Normality of HCL} = \frac{\text{mL of NaOH required} \times \text{N of NaOH used}}{\text{mL of HCL used}}$$

8.2.3.2 Adjusting the hydrochloric acid solution to achieve a 1.0 N solution:

8.2.3.2.1 Example 1: If acid solution is too weak, for example, if 19.7 L of 0.9908 N solution needs strengthening to 1.0000 N, calculate the amount of concentrated hydrochloric acid to add:

- $19.700 \times 0.991 = 19.523$
- $19.700 - 19.523 = 0.177$
- $0.177 \times 82.5 = 14.6$  mL of concentrated hydrochloric acid needed.

8.2.3.2.2 Example 2: If acid solution is too strong, for example, if 19.7 L of 1.024 N solution needs weakening to 1.0000 N, calculate how much deionized water to add:

- $19.700 \times 1.024 = 20.1732$
- $20.173 - 19.700 = 0.473$  L or 473 mL of deionized water needed.

8.3 *4.0 pH Buffer (using Potassium Hydrogen Phthalate):*

8.3.1 Weigh  $10.21 \pm 0.05$  g of potassium hydrogen phthalate into a weighing boat.

8.3.2 Add 500 mL of deionized water to a 1000-mL volumetric flask.

8.3.3 Transfer the potassium hydrogen phthalate into the volumetric flask. Add a magnetic stir bar and stir the solution until all of the potassium hydrogen phthalate dissolves.

8.3.4 Dilute the solution to 1000 mL.

8.3.5 The pH of the potassium hydrogen phthalate solution at various temperatures is shown in Table 1.

**Table 1—pH of 0.05 M Potassium Hydrogen Phthalate**

Temperature °F (°C)	pH
59 (15)	3.999
68 (20)	4.002
77 (25)	4.008
86 (30)	4.015
95 (35)	4.024
104 (40)	4.035

- 8.4 *9.0 pH Buffer (using Sodium Tetraborate Decahydrate):*
- 8.4.1 Weigh  $3.81 \pm 0.01$  g of sodium tetraborate decahydrate into a weighing boat.
- 8.4.2 Add 500 mL of deionized water to a 1000-mL volumetric flask.
- 8.4.3 Transfer the sodium tetraborate decahydrate into the volumetric flask. Add a magnetic stir bar and stir the solution until all of the sodium tetraborate decahydrate dissolves.
- 8.4.4 Dilute the solution to 1000 mL.
- 8.4.5 The pH of borax solution at various temperatures is shown in Table 2.

**Table 2—pH of 0.01 M Borax Solution**

Temperature °F (°C)	pH
59 (15)	9.276
68 (20)	9.225
77 (25)	9.180
86 (30)	9.139
95 (35)	9.102
104 (40)	9.068

- 8.5 *Phenolphthalein Indicator:*
- 8.5.1 Weigh 0.5 g of powdered phenolphthalein in a 200-mL beaker.
- 8.5.2 Add 50 mL of ethyl alcohol and a magnetic stir bar.
- 8.5.3 Stir until all the phenolphthalein dissolves.
- 8.5.4 Add 50 mL of deionized water and stir.
- 8.6 *Bromophenol Blue Indicator:*
- 8.6.1 Weigh 0.1 g of powdered bromophenol blue into a 250-mL volumetric flask.
- 8.6.2 Add 7.5 mL of 0.02 N sodium hydroxide solution. Add a magnetic stir bar and stir until all of the bromophenol blue dissolves.
- 8.6.3 Dilute the mixture with deionized water to 250 mL.

---

**9. SAMPLE PREPARATION**

- 9.1 Mix the sample well for 1–2 min.
- 9.2 Invert and shake the bucket at least three times.
- 9.3 Remove the bucket lid and scoop out enough material to fill a sample vial 1/2–3/4 full.
- 9.4 After sample withdrawal, close the bucket and sample vial to minimize atmospheric contamination.

**Note 12**—Moisture in the air tends to air slake calcium oxide, converting it to calcium hydroxide. Calcium hydroxide tends to react with carbon dioxide in the air to form calcium carbonate, which degrades the quality of the sample by reducing the active lime content.

---

**10. TESTING PROCEDURES**

- 10.1 *Titration to pH 8.3:*
- 10.1.1 Weigh out on an analytical balance  $2.804 \pm 0.0050$  g of lime from the sample vial. Reseal the vial. Record the weight of the lime sample.
- 10.1.2 Add 150 mL of deionized water to a 400-mL tall-form beaker.
- 10.1.3 Transfer the weighed sample to the 400-mL tall-form beaker.
- Note 13**—To minimize loss of sample, transfer material slowly.
- 10.1.4 Add a stirring magnet and place the beaker on a magnetic stirrer. Stir the sample mixture.
- 10.1.5 Calibrate the pH meter using the 4.0 and 9.0 buffer solutions.
- 10.1.6 Fill a 100-mL buret with 1.0 N hydrochloric acid solution.
- 10.1.7 Titrate the sample with the first 50 mL of the 1.0 N hydrochloric acid solution to a pH of 9.0. Titrate as rapidly as the reaction rate of the sample will allow.
- Note 14**—The response or reaction time of the sample dictates the rate of addition. Lime samples will vary in response to additions of titrant. An excess of titrant causes localized pooling of titrant. Carbon dioxide gas evolves from the reaction of acid with calcium carbonate at a pH of less than 5.4. In the titration to pH 8.3, rapidly add the titrant, but slow enough to keep the pH greater than 6.0 at all times. With addition of titrant, the pH will drop and then, in most cases, recover or rise to a higher value as more solids dissolve and enter into the reaction.
- 10.1.8 Decrease the rate of titration to a rapid drop rate until reaching a pH of between 6.0 and 9.0 that persists for at least 30 sec.
- 10.1.9 Use smaller increments of titrant to maintain a pH slightly less than 8.3. As the pH increases, add more titrant until a pH of 8.3 or slightly less persists for 60 sec.



**Note 15**—The endpoint for the titration to pH 8.3 occurs when the addition of one 2-drop increment of titrant produces a pH of 8.3, or slightly less, for exactly 60 sec. after addition.

10.1.10 Record the volume of titrant required to reach this endpoint.

10.1.11 Add an excess of hydrochloric acid to the sample. Record the total volume of acid added.

**Note 16**—The sample mixture contains a “measured excess” of hydrochloric acid.

10.2 *Back-Titration to pH 4.4:*

10.2.1 Fill a 50-mL buret with 1.0 N sodium hydroxide solution.

10.2.2 Titrate the sample with 1.0 N sodium hydroxide solution to a pH of 4.4 or slightly greater when observed exactly 10 sec. after a 1-drop addition of titrant.

10.2.3 Record the sodium hydroxide volume at the first occurrence of the endpoint.

10.3 *Loss on Ignition:*

10.3.1 Weigh a crucible using an analytical balance, record the weight, and tare the balance.

10.3.2 Weigh out a 2.9–3.1-g sample in the crucible. Record the weight of the sample to the nearest 0.0001 g.

10.3.3 Place the crucible containing the sample in an electric muffle furnace set at  $2,000 \pm 20^\circ\text{F}$  ( $1093 \pm 11^\circ\text{C}$ ) for a minimum of 3 hr.

10.3.4 Use tongs to remove the crucible from the muffle furnace. Place the crucible on a hard-surfaced asbestos board. Allow the crucible to cool on the board for 10–30 sec.

10.3.5 Transfer the crucible to a vacuum desiccator for cooling. Allow 20 min. for cooling.

**Note 17**—If running several samples simultaneously, transfer all of the samples to the desiccator and replace the lid with the vacuum stopcock open. The heated air will expand through the opening for several seconds. Then close the stopcock.

10.3.6 After the sample has cooled, remove the sample from the desiccator. Weigh the sample on an analytical balance as rapidly as possible to minimize hydration of the residue. Record the weight to the nearest 0.0001 g.

10.4 *Dry Sieve Analysis:*

10.4.1 Use the remainder of the sample in the 1-gal. sample bucket for sieve analysis. Weigh the sample on a top loading balance to the nearest 0.1 g.

10.4.2 Shake the sample through a No. 6 sieve in 200-g increments.

**Note 18**—Perform this operation under a hood while wearing a dust/mist mask.

10.4.3 Weigh the amount retained on the No. 6 sieve to the nearest 0.1 g, and then recombine for the wet sieve analysis.

- 10.5 *Wet Sieve Analysis:*
- 10.5.1 Use the remainder of the sample in the 1-gal. sample bucket for wet sieve analysis. Individually weigh a No. 6 and a No. 30 sieve on a top loading balance. Record the weights to the nearest 0.1 g.
- 10.5.2 Weigh the sieve analysis sample to the nearest 0.1 g.
- 10.5.3 Water wash the sample through the nested No. 6 and No. 30 sieves. Ensure that none of the sample is lost over the sides of the sieve. Use a water pressure gauge to maintain  $12 \pm 0.3$  psi water pressure.
- Note 19**—Apply the wash water in a fantail spray pattern from the 3/8-in. (9.5-mm) ID plastic tubing fitted with a Bunsen “fan-type” burner attachment at the outlet.
- 10.5.4 Continue to wash the sample for 30 min. or until the water coming through the sieve is clear, whichever occurs first.
- 10.5.5 Oven-dry the residue on each sieve for 1 hr. at  $212 \pm 4^\circ\text{F}$  ( $100 \pm 2^\circ\text{C}$ ).
- 10.5.6 Remove the sieves from the oven. Allow the sieves to cool to room temperature. Weigh each sieve to the nearest 0.1 g.

## 11. CALCULATIONS

- 11.1 *Wet and Dry Sieve Analysis:*
- 11.1.1 Calculate the percent of the hydrated lime retained on each sieve. Use this calculation for both wet and dry sieve analysis. Report values to the nearest 0.1%:

$$\% \text{ retained} = \frac{\text{residue retained}}{\text{sample wt.}} \times 100$$

Where:

% retained = weight percent of residue retained on the sieve

residue retained = weight in grams of residue retained on the sieve

sample wt. = weight in grams of the sample before being sieved.

- 11.2 *Total “Active” Lime Content:*
- 11.2.1 Limits for sample weight and titration solutions when using the following rapid calculation methods are as follows.
- Sample Wt.  $2.804 \pm 0.0050$  g
  - Acid  $1.000 \text{ N} \pm 0.0005 \text{ N}$
  - Base  $1.000 \text{ N} \pm 0.0005 \text{ N}$ .

- 11.2.2 Creating a hydrated lime sample worksheet:
- 11.2.3 Milliliters of hydrochloric acid to pH 8.3 is equivalent to the hydrate alkalinity. Record this value and the corresponding uncorrected  $\text{Ca(OH)}_2$  from Table 3.
- 11.2.4 Total milliliters hydrochloric acid added, less the milliliters of sodium hydroxide required to obtain a pH of 4.4, is equal to the total alkalinity. Record this value and subtract hydrate alkalinity from total alkalinity to give carbonate alkalinity. From Table 4, obtain equivalent calcium carbonate and record this value.
- 11.2.5 Calculate the loss on ignition of the sample. Calculate the inert value by subtracting the sum of the loss on ignition and the total alkalinity from 100. Record the inert value (or an average or assumed inert value based on previous analysis of lime from a given source).
- 11.2.6 Total the uncorrected calcium hydroxide, calcium carbonate, and the inert value. If the total is less than 100%, the difference is free water. If the total is greater than 100%, quicklime is present. The following examples demonstrate each situation:

■ Example where calcium oxide is present:

$$\text{Uncorrected Ca(OH)}_2 = 94.8$$

$$\text{CaCO}_3 = 3.1$$

$$\text{Assumed inert} = 2.2$$

$$\overline{100.1}$$

$$\text{Subtotal } 100.1 - 100 = 0.1$$

$$\% \text{CaCO} = 0.1 \times 3.11 = 0.3$$

$$\text{Uncorrected Ca(OH)}_2 = 94.8$$

$$\text{Ca(OH)}_2 \text{ Correction Value} = -0.4$$

$$\overline{94.4}$$

Analysis shown as :

$$\text{Ca(OH)}_2 = 94.4$$

$$\text{CaCO}_3 = 3.1$$

$$\text{CaO} = 0.3$$

$$\text{Total} = \overline{100.0}$$

- Example where water is present:

$$\begin{array}{rcl}
 \text{Uncorrected } Ca(OH)_2 & = & 93.0 \\
 CaCO_3 & = & 4.6 \\
 \text{Assumed Inert} & = & 1.0 \\
 \text{Total} & = & \overline{98.6} \\
 \% H_2O = 100 - 98.6 & = & 1.4
 \end{array}$$

Analysis is shown as:

$$\begin{array}{rcl}
 Ca(OH)_2 & = & 93.0 \\
 CaCO_3 & = & 4.6 \\
 \text{Assumed Inert} & = & 1.0 \\
 H_2O & = & 1.4 \\
 \text{Total} & = & \overline{100.0}
 \end{array}$$

11.2.7 If free water is present, the uncorrected hydrate alkalinity will be actual hydrate alkalinity as calcium hydroxide.

**Table 3—Uncorrected Calcium Hydroxide Value**

mL of Acid and Hydrated Alkalinity	% Ca(OH)2
68.0	89.8
69.0	91.2
70.0	92.5
71.0	93.8
72.0	95.1
73.0	96.4
74.0	97.8
75.0	99.1
<b>Factor = 1.32126</b>	

11.2.8 Calcium Carbonate Value as CaCO<sub>3</sub> —Whole milliliter difference between two endpoints:

**Table 4—Calcium Carbonate Value**

Carbonate Alkalinity	CaCO <sub>3</sub>
0.0	0.0
1.0	1.8
2.0	3.6
3.0	5.4
4.0	7.1
<b>Factor = 1.78479</b>	

11.2.9 Correction for Calcium Hydroxide Value when CaO is Present:

**Table 5—Correction for Calcium**

Subtotal-100%	Correction Value
0.1	0.4
0.2	0.8
0.3	1.2
0.4	1.6
0.5	2.1
0.6	2.5
0.7	2.9
0.8	3.3
0.9	3.7
1.0	4.1
1.1	4.5
1.2	4.9

11.2.10 Amount of Subtotal Over 100%:

- When quicklime is present: % CaO = (Subtotal - 100%) × 3.11
- When free water is present: % free water = 100% - Subtotal

**Table 6—Proportional Parts**

ml acid	% Ca(OH) <sub>2</sub>
0.1	0.1
0.2	0.3
0.3	0.4
0.4	0.6
0.5	0.7
0.6	0.8
0.7	1.0
0.8	1.1
0.9	1.3
<b>Factor = 1.32126</b>	

11.2.11 Use Table 7 to obtain a corrected calcium hydroxide value by subtracting the calcium hydroxide correction value obtained from the uncorrected calcium hydroxide value.

**Table 7—Proportional Parts**

Fractional Carbonate Alkalinity	CaCO <sub>3</sub>
0.1	0.2
0.2	0.4
0.3	0.5
0.4	0.7
0.5	0.9
0.6	1.1
0.7	1.3
0.8	1.4
0.9	1.6
<b>Factor = 1.78479</b>	

- 11.2.11.1 Use Table 7 if the subtotal (uncorrected calcium hydroxide value + calcium carbonate value + assumed inert value) is greater than 100%. This means that calcium oxide is present and not free water.
- 11.2.11.2 If the subtotal is less than 100%, then assume the uncorrected calcium hydroxide value is correct. Calcium hydroxide and free water are present.
- 

## 12. OPTIONAL INDICATOR METHOD FOR THE TITRIMETRIC ANALYSIS

### 12.1 *Scope:*

- 12.1.1 Use this method in lieu of the prescribed pH meter method; however, for all referee tests, or in cases of dispute, the prescribed pH meter method is the official method.
- 12.1.2 In some cases, impurities such as aluminum compounds will prevent or hinder the appearance of the color change in the back-titration portion of this optional method. In these cases, use the prescribed pH meter method.

### 12.2 *Titration to Phenolphthalein Endpoint:*

- 12.2.1 Weigh out on an analytical balance  $2.804 \pm 0.0050$  g of lime from the sample vial. Reseal the vial. Record the weight of the lime sample.
- 12.2.2 Add 150 mL of deionized water to a 400-mL tall-form beaker.
- 12.2.3 Transfer the sample to the beaker.  
**Note 20**—To minimize loss of sample, transfer material slowly.
- 12.2.4 Add a stirring magnet and place the beaker on a magnetic stirrer. Stir the sample.
- 12.2.5 Add five drops of phenolphthalein indicator to the sample mixture.
- 12.2.6 Fill a 100-mL buret with 1.0 N hydrochloric acid.
- 12.2.7 Titrate to the point where the color of the solution changes temporarily from pink to clear.
- 12.2.8 Wait for the pink color to return.
- 12.2.9 Add titrant until the color change appears imminent.
- 12.2.10 Add acid in 4-drop increments until the pink coloration disappears for 35 sec.
- 12.2.11 Add acid in 2-drop increments until the endpoint occurs. Record the amount of hydrochloric acid used to reach the endpoint.  
**Note 21**—The endpoint is the failure of the mixture to regain its pink coloration for 60 sec. after the last addition of the titrant. After reaching the endpoint, ignore the reappearance of pink color. The phenolphthalein endpoint is the equivalent to the pH 8.3 endpoint described in the official pH meter method of titration.

- 12.2.12 Add an excess of hydrochloric acid to the sample. Record the total volume of acid added.  
**Note 22**—The sample mixture contains a “measured excess” of hydrochloric acid.
- 12.3 *Back Titration to the Bromophenol Blue Endpoint:*
- 12.3.1 Fill a 50-mL buret with 1.0 N sodium hydroxide.
- 12.3.2 Add 2.0 mL of bromophenol blue indicator to the sample mixture.
- 12.3.3 Titrate until the color of the mixture changes from yellow to blue with a slight tinge of purple and maintains the blue color for 10 sec., after a 1-drop addition of titrant.
- 12.3.4 Record the amount of sodium hydroxide used to reach the endpoint.
- 12.3.5 Use the same calculation method to determine active lime content as described under Section 10.

---

## PART III—TESTING COMMERCIAL LIME SLURRY

---

### 13. SCOPE

- 13.1 This part discusses the method for testing high-calcium type commercial lime slurry and assumes that the principal constituents present in the lime are:
- calcium hydroxide,
  - water,
  - calcium carbonate, and
  - inert matter such as silica dioxide.

---

### 14. APPARATUS

- 14.1 *Equipment*, listed under Part II, Section 6.
- 14.2 *Eyedropper*, large bore polyethylene.
- 14.3 *Weight-per-gallon cup*, stainless steel, with tare weight.
- 14.4 *Polyethylene bottles*, 1 pt., with screw caps.
- 14.5 *Glass rod*.
- 14.6 *Beaker*, 1000 mL.



---

**15. REAGENTS AND SOLUTIONS**

- 15.1 Use chemical reagents and solutions listed for the testing of bulk hydrate or powdered lime in Part III, Sections 7 and 8.
- 

**16. SAMPLE PREPARATION****16.1** *Lime Slurry Sample Preparation:*

- 16.1.1 Set the slurry jug in a roller and agitate for 3–4 hr.
- 16.1.2 Use a glass rod to determine if the lime sample is in suspension. If any lime remains caked on the bottom or sides, place the slurry jug back on the roller and agitate.
- 16.1.3 When the slurry is well mixed, pour a representative sample into a 1-pt. polyethylene bottle with a screw top.  
**Note 23**—Clean the threaded portion of the bottles and the inside threads of the cap. If slurry remains on these places, the seal will not be airtight, and the slurry will dehydrate.
- 16.2 *Determining Bulk Density:*
- 16.2.1 Weigh a clean and empty weight-per-gallon cup on a top loading balance. Tare the weight of the cup.
- 16.2.2 Shake the 1-pt. bottle of slurry vigorously for 1 min. Rapidly pour the slurry from the 1-pt. bottle into the weight-per-gallon cup. Fill the cup to just below the top rim.
- 16.2.3 Tap the bottom of the filled cup against a hard surface to remove air bubbles.
- 16.2.4 Place the lid on the cup, gently pressing it into place. Excess slurry will flow out the small center opening in the top.  
**Note 24**—If slurry does not flow out of the opening, additional slurry is necessary. Agitate the sample before adding more slurry.
- 16.2.5 Carefully wipe off all of the excess slurry on the outside of the cup and lid.
- 16.2.6 Place the weight-per-gallon cup on a top loader balance. Weigh the cup and its contents to the nearest 0.1 g.  
**Note 25**—Make sure that the tared weight remains displayed on the balance just before the weight of the filled cup is measured.
- 16.2.7 Divide the result by ten. Report this value as the bulk density of the slurry expressed in lb./gal.

16.2.8 *Calculations:*

## 16.2.8.1 Calculate bulk density:

$$BD = \frac{(\text{slurry wt.})}{10}$$

Where:

BD = bulk density, (lb./gal.)

slurry wt. = weight of the slurry in the weight-per-gallon cup, (g).

16.3 *Determination of Sample Size:*

16.3.1 Use Figures 1, 2, and 3 to determine the sample size for titrimetric analysis and loss on ignition. Find the bulk density of the slurry on one of the three graphs. Scan to the right to find the area between the minimum and maximum lines. Then, scan to the bottom of the graph to find the corresponding sample weight range. This quantity will contain the equivalent of 2.9–3.1 g of dry lime.

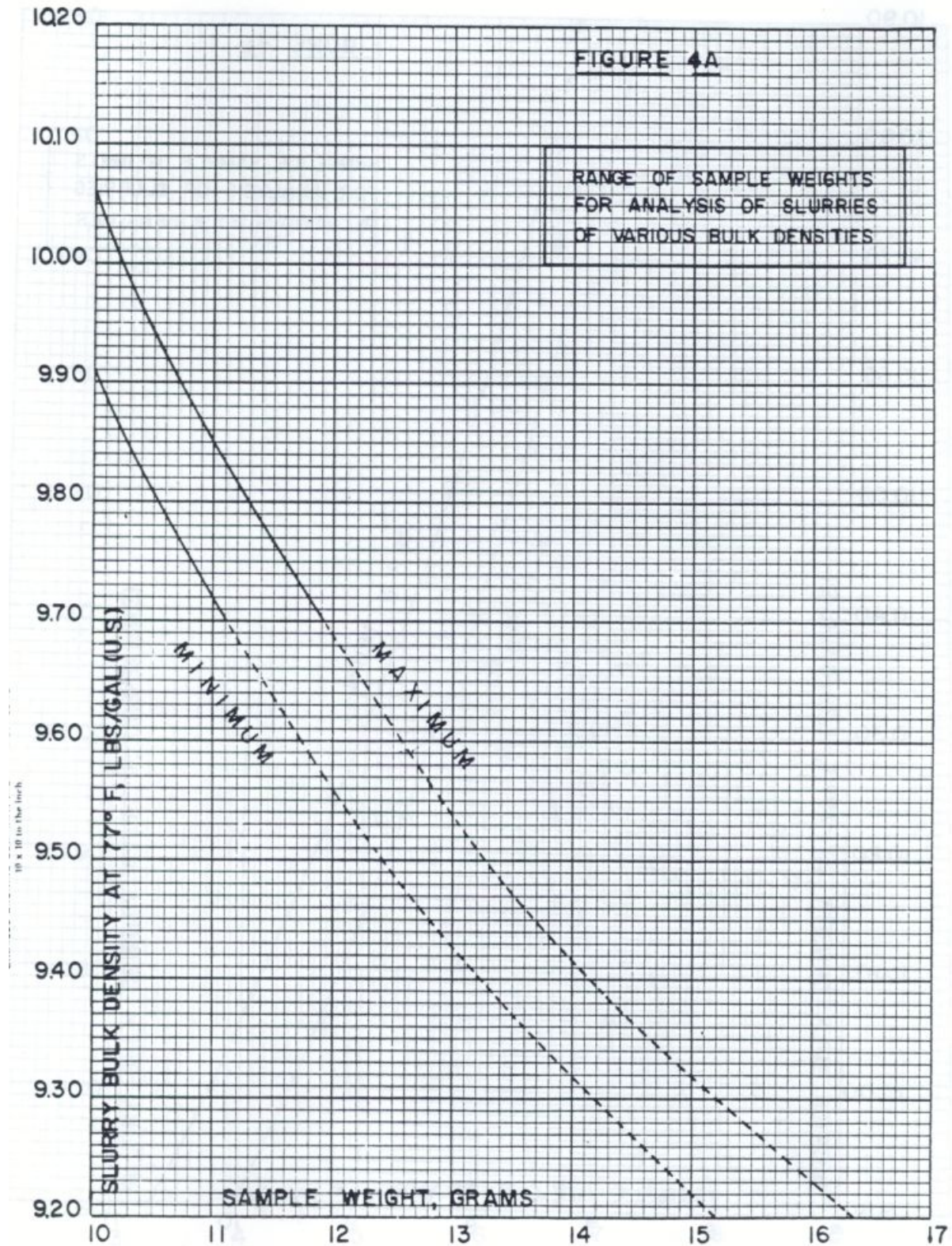


Figure 1—Range of Sample Weights for Analysis of Slurries—No. 1

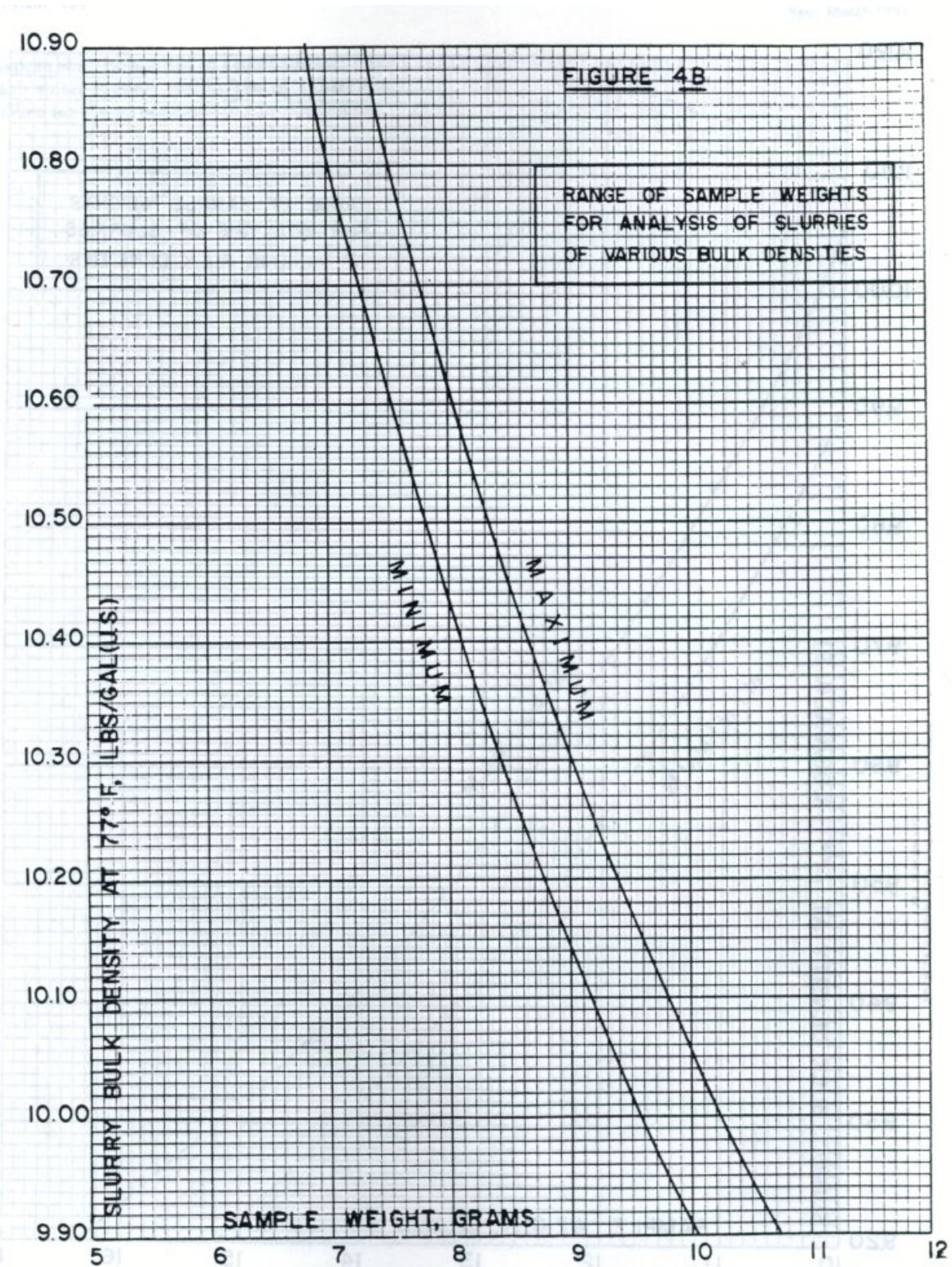


Figure 2—Range of Sample Weights for Analysis of Slurries—No. 2

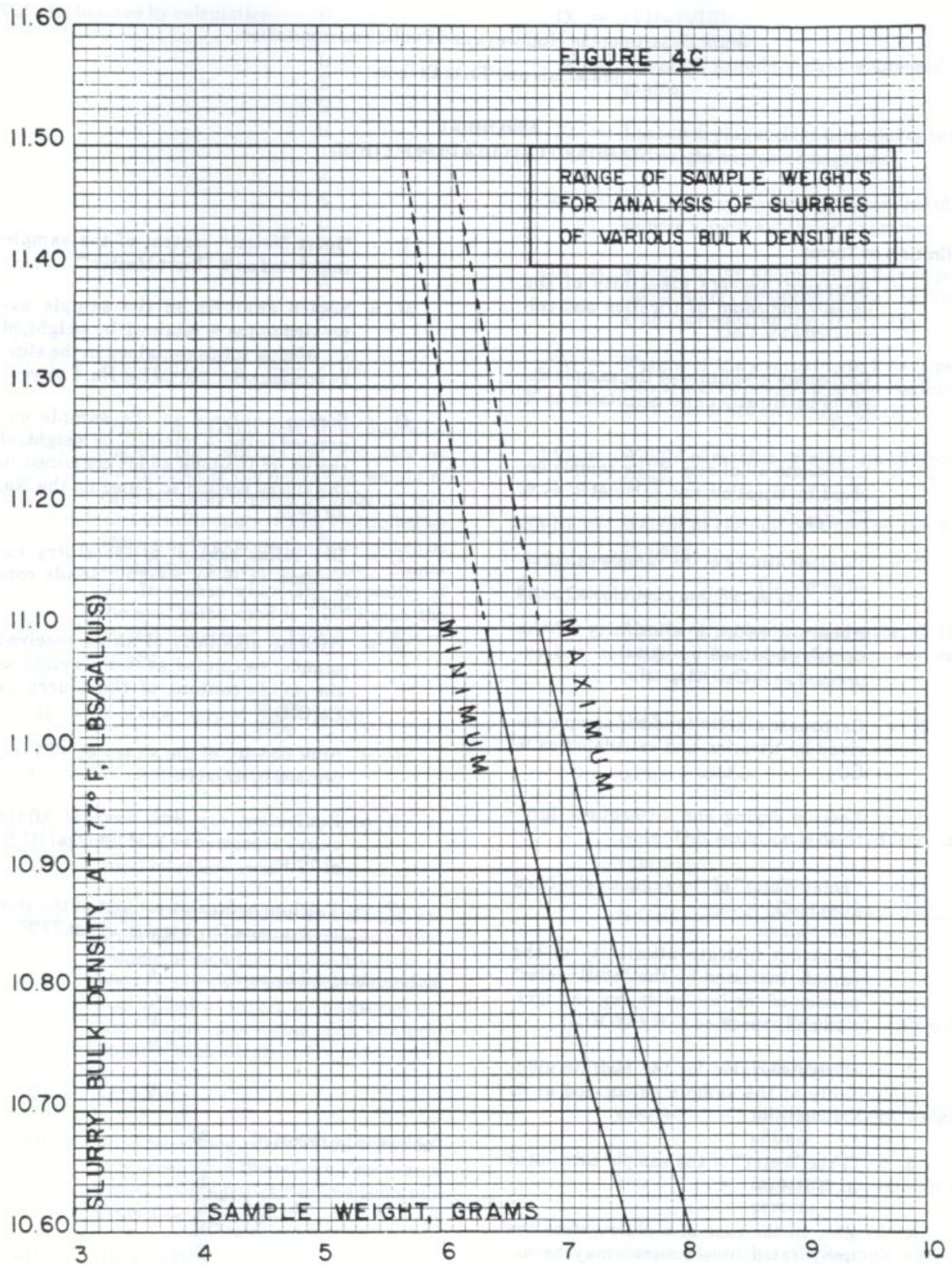


Figure 3—Range of Sample Weights for Analysis of Slurries—No. 3

---

**17. TESTING PROCEDURES****17.1** *Titration to pH 8.3:*

17.1.1 Determine the sample size using the method indicated in Section 16.3.

17.1.2 Tare a 400-mL tall-form beaker on an analytical balance.

17.1.3 Agitate the 1-pt. bottle for 1 min. Pour the required weight of slurry sample, as determined above, into the 400-mL tall-form beaker. Record the weight of the sample to the nearest 0.0001 g.

17.1.4 Slowly add enough deionized water to bring the volume of mixture to 150 mL. Add a stirring magnet, place the beaker on a magnetic stirrer, and stir the sample.

17.1.5 Calibrate the pH meter using the 4.0 and 9.0 buffer solutions.

17.1.6 Fill the 100-mL buret with 1.0 N hydrochloric acid.

17.1.7 Insert the pH meter probe into the sample. Begin titrating the sample with 1.0 N hydrochloric acid. Add the hydrochloric acid at a rapid drop rate to obtain a pH indication of 9 or slightly less.

**Note 26**—A suitable rapid drop rate is approximately 12 mL/min.

17.1.8 After reaching a momentary pH of 9, decrease the rate of titration to approximately 2 mL/min. Continue at this rate until the pH is close to 8.5.

17.1.9 Once the pH is close to 8.5, add acid in 4-drop increments until maintaining a pH of 8.3 or less for approximately 35 sec.

17.1.10 Then add 2-drop increments until the endpoint of 8.3 or slightly less persists for 60 sec.

**Note 27**—The endpoint for the titration to pH 8.3 occurs when the addition of one 2-drop increment of titrant produces a pH of 8.3 or slightly less for exactly 60 sec.

17.1.11 Record the volume of titrant used to reach the endpoint.

17.1.12 Add excess hydrochloric acid to the sample. Record the total volume of acid added to the sample.

**Note 28**—The sample mixture contains a “measured excess” of hydrochloric acid.

**17.2** *Back-Titration to pH 4.4:*

17.2.1 Fill a 50-mL buret with 1.0 N sodium hydroxide solution.

17.2.2 Titrate the sample with 1.0 N sodium hydroxide to the endpoint. The endpoint occurs when a pH of 4.4 or slightly greater occurs exactly 10 sec. after a 1-drop addition of titrant.

17.2.3 Record the volume of sodium hydroxide used to reach the endpoint.

- 17.3 *Loss on Ignition:*
- 17.3.1 Weigh a crucible using an analytical balance, record the weight, and tare the balance.
- 17.3.2 Determine the required slurry sample size from Section 16.3. Weigh that amount into the tared crucible. Record the weight of the sample to the nearest 0.0001 g.
- 17.3.3 Place the crucible with slurry into a  $212 \pm 4^\circ\text{F}$  ( $100 \pm 2^\circ\text{C}$ ) drying oven for 1 hr.
- 17.3.4 Remove sample from oven and place in a muffle furnace at  $2,000 \pm 20^\circ\text{F}$  ( $1093 \pm 11^\circ\text{C}$ ) for a minimum of 2 hr.
- 17.3.5 Use the long tongs to remove the crucible from the muffle furnace. Place the crucible on a hard-surfaced asbestos board. Allow the crucible to cool on the board for 10–30 sec.
- 17.3.6 Transfer the crucible to a vacuum desiccator for cooling. Allow 20 min. for cooling.  
**Note 29**—If running several samples simultaneously, transfer the samples to the desiccator and replace the lid with the vacuum stopcock open. The heated air will expand through the opening for several seconds. Then close the stopcock.
- 17.3.7 After the sample has cooled, remove the sample from the desiccator. Weigh the crucible on an analytical balance as rapidly as possible to minimize hydration of residue. Record the weight to the nearest 0.0001 g.
- 17.4 *Sieve Analysis:*
- 17.4.1 Weigh a 1000-mL glass beaker on a top-loading balance, record the weight to the nearest 0.1 g, and tare the balance.
- 17.4.2 Pour 1 L of the well-mixed slurry into the beaker. Weigh the beaker with the slurry on the balance and record the weight to the nearest 0.1 g.
- 17.4.3 Weigh a No. 6 and a No. 30 sieve on a top loading balance. Record each weight to the nearest 0.1 g.
- 17.4.4 Wash the slurry through the No. 6 and No. 30 sieves simultaneously using regular tap water.  
**Note 30**—Apply the wash water in a fantail spray pattern from the 3/8-in. ID plastic tubing fitted with a Bunsen “fan-type” burner attachment at the outlet. Monitor the water pressure with a water gauge at  $12 \pm 0.3$  psi.
- 17.4.5 Continue washing the sample for 30 min. or until the water coming through the sieve is clear, whichever occurs first.
- 17.4.6 Oven-dry the residue on each sieve for 1 hr. at  $212 \pm 4^\circ\text{F}$  ( $100 \pm 2^\circ\text{C}$ ).
- 17.4.7 Remove the sieves from the oven and allow them to cool for 20 min. Weigh each sieve on a top loading balance. Record the weight to the nearest 0.1 g.

**18. CALCULATIONS****18.1** *Percent Solids:*

18.1.1 Calculate all factors A through H and J. Then use the following equation to calculate percent solids:

$$\% \text{ Solids} = \frac{100 - J}{100}$$

Where:

J = free water of the sample, %.

18.1.2 Calculate A, apparent hydrate alkalinity of the sample, calculated as percent calcium oxide:

$$A = \frac{2.8054(\text{mL of HCl to 8.3})}{\text{sample wt.}}$$

Where:

mL of HCl to 8.3 = amount of hydrochloric acid used to reach 8.3 pH endpoint, mL  
sample wt. = the weight of the sample used in the titration.

18.1.3 Calculate B, carbonate alkalinity of the sample derived by titration and calculated as percent calcium oxide:

$$B = C - A = (\text{total alkalinity}) - (\text{apparent hydrate alkalinity, CaO})$$

Where:

C = total alkalinity of the sample calculated as percent calcium oxide

A = apparent alkalinity of the sample indicated by titration calculated as percent calcium oxide.

18.1.4 Calculate C, total alkalinity of the sample calculated as percent calcium oxide:

$$C = \frac{2.8054 (\text{total ml of HCl} - \text{ml of NaOH to 4.4})}{\text{sample wt.}}$$

Where:

total mL of HCl = amount of hydrochloric acid used, including the “measured excess,”  
mL

mL of NaOH to 4.4 = amount of sodium hydroxide used to reach 4.4 pH endpoint, mL  
sample wt. = titration sample weight, g.



- 18.1.5 Calculate  $D$ , apparent hydrate alkalinity indicated by titration of the sample expressed as percent calcium hydroxide:

$$D = (1.32126)A = (1.32126)(\text{apparent hydrate alkalinity, CaO})$$

Where:

$A$  = apparent hydrate alkalinity of the sample calculated as percent calcium oxide.

- 18.1.6 Calculate  $E$ , carbonate alkalinity of the sample calculated as percent carbon dioxide:

$$E = (0.78479)B = (0.78479)(\text{carbonate alkalinity, CaO})$$

Where:

$B$  = carbonate alkalinity of the sample derived by titration and calculated as percent calcium oxide.

- 18.1.7 Calculate  $F$ , loss on ignition:

$$F = \frac{(\text{sample wt.} - \text{residue wt.}) 100}{\text{sample wt.}}$$

Where:

sample wt. = original weight of the loss on ignition sample, g

residue wt. = weight of the residue after the loss on ignition test, g.

- 18.1.8 Calculate  $G$ , total water of the sample, expressed in percent:

$$G = F - E = (\text{loss on ignition}) - (\text{carbonate alkalinity, CO}_2)$$

Where:

$F$  = loss on ignition

$E$  = carbonate alkalinity of the sample calculated as percent carbon dioxide.

- 18.1.9 Calculate  $H$ , apparent hydrate alkalinity of the sample indicated by the total water portion of the loss on ignition and expressed as percent calcium hydroxide:

$$H = (4.1128)G = (4.1128)(\text{total water})$$

Where:

$G$  = total water of the sample, %.

18.1.10 Calculate  $J$ , free water of the sample, %:

$$J = 0.24314(H - D)$$

$$J = (0.24314)(\text{apparent hydrate alkalinity, total water} - \text{apparent hydrate alkalinity, titration})$$

Where:

$H$  = apparent hydrate alkalinity indicated by the total water portion of the loss on ignition

$D$  = apparent hydrate alkalinity indicated by titration of the sample expressed as percent calcium hydroxide.

18.2 Lime Slurry Alkalinity, %  $\text{Ca}(\text{OH})_2$ :

$$\% \text{Ca}(\text{OH})_2 = \frac{D}{\% \text{solids}} = \frac{(\text{apparent hydrate alkalinity, titration})}{\% \text{solids}}$$

Where:

$D$  = apparent hydrate alkalinity of the sample indicated by titration and expressed as percent calcium hydroxide.

**Note 31**— $D$  is the same value calculated for the percent solids determination.

18.3 Loss on Ignition:

$$\text{LOI} = \frac{(\text{sample wt.} - \text{residue wt.})100}{\text{sample wt.}}$$

Where:

sample wt. = original weight of the loss on ignition sample, g

residue wt. = weight of the residue after the loss on ignition test, g.

**Note 32**—This is the same calculation used for factor  $F$  in the percent solids determination.

18.4 Sieve Analysis:

$$\% \text{retained} = \frac{\text{residue retained}}{(\text{sample wt.})(\% \text{solids})} \times 100$$

Where:

% retained = weight of residue retained on the sieve, %

residue retained = weight of residue retained on the sieve, g

sample wt. = weight of the sample before being sieved, g

% solids = percent solids as calculated above.

---

**PART IV—TESTING QUICKLIME**

---

**19. SCOPE**

19.1 This part discusses the method for testing quicklime.

*WARNING:* Quicklime is extremely hazardous and capable of inflicting severe caustic burns to skin, lung damage, and eye injury. It can cause blindness if handled improperly. Personnel handling, sampling, testing, or working around quicklime should wear proper protective clothing, respirators, and dust-proof goggles to prevent injury.

---

**20. APPARATUS**

20.1 *Equipment*, listed under Part II, Section 6.

20.2 *Laboratory grinder*.

20.3 *Mechanical shaker*, with timer, to accommodate 8-in. diameter sieves.

20.4 *Mixer*, with 1-gal. capacity mixing bowl and type D wire whip attachment.

20.5 *Sample splitter*, (alternate slot type), *two catch pans of appropriate size*, and *one pour pan*.

20.6 *Erlenmeyer flasks*, 500 mL.

20.7 *Rubber stoppers*, No. 10 size.

20.8 *Ointment type cans*, 6 oz., with lids.

---

**21. REAGENTS**

21.1 Use chemical reagents listed for the testing of bulk hydrate or powdered lime in Part III, Section 7, of this method.

---

**22. PREPARING SOLUTIONS**

22.1 Use chemical solutions listed for the testing of bulk hydrate or powdered lime in Section 8 of this procedure with the following addition:

22.1.1 *Sugar Solution:*

22.1.1.1 Prepare a fresh sugar solution for each lime slurry sample.

22.1.1.2 In a 200-mL beaker, add 60 g of granulated cane sugar and 120 mL of deionized or distilled water. Add a stirring bar and place the beaker on a magnetic stirrer. Stir until all of the sugar dissolves.

---

- 22.1.1.3 Add one drop of phenolphthalein indicator.
  - 22.1.1.4 Add 1.0 N sodium hydroxide, drop by drop, until observing a faint pink color.
- 

## 23. SAMPLE PREPARATION

- 23.1 Divide the 1-gal. sample into two portions through the splitter.
  - 23.2 Return and set aside one of the portions to the 1-gal. can.
  - 23.3 Measure 300 g of the remaining portion.
  - 23.4 Grind the 300-g portion for chemical analysis to pass a No. 30 sieve. Transfer the ground lime to a sample vial and close the lid tightly.
  - 23.5 Measure 800 g from the remainder of this portion. Set aside this 800-g portion in a sealed container.  
**Note 33**—Protect all portions from contamination. Crush samples that contain flint or other extremely hard material to pass through a 1/8-in. sieve in a jaw-type crusher before grinding.
- 

## 24. TESTING PROCEDURES

- 24.1 *Titration to Phenolphthalein Endpoint:*
    - 24.1.1 Boil 60 mL of deionized or distilled water. Add 10 mL of boiled water to a 500-mL Erlenmeyer flask.
    - 24.1.2 Weigh  $2.8 \pm 0.3$  g of the ground quicklime sample in a weighing boat. Record the exact amount of quicklime to the nearest 0.0001 g.
    - 24.1.3 Transfer the lime sample to the Erlenmeyer flask.
    - 24.1.4 Add 50 mL of boiled water to the Erlenmeyer flask.
    - 24.1.5 Stopper the flask with a No. 10 rubber stopper and swirl for a few seconds.
    - 24.1.6 Place the sample on a hot plate and boil for 2 min.
    - 24.1.7 Remove the sample from the hot plate and allow it to cool to room temperature.
    - 24.1.8 Add 150 mL of the sugar solution to the flask, stopper the flask, and let it stand for 15 min. Swirl the flask every 5 min.
    - 24.1.9 Add five drops of phenolphthalein indicator solution and a stirring magnet to the sample. Stir the sample on a magnetic stir.
    - 24.1.10 Fill a 100-mL buret with 1.0 N hydrochloric acid. Titrate the sample with the hydrochloric acid until the first instance the pink color disappears. This is the endpoint.
-

- 24.1.11 Record the volume of hydrochloric acid used to reach the endpoint. Use the calculations to determine the percent active CaO to the nearest 0.1%.
- 24.2 *Dry Sieve Analysis:*
- 24.2.1 Weigh the previously reserved 800-g portion on a top loading balance to the nearest 0.1 g.
- 24.2.2 Shake the 800-g portion through a nest of sieves into a catch pan in 200-g increments. The nest of sieves includes the 1 in., 3/4 in., No. 6, and No. 100.  
**Note 34**—Perform this operation under a hood, while wearing a dust/mist mask.
- 24.2.3 Weigh the amount caught in each sieve to the nearest 0.1 g, and then recombine them for the wet sieve analysis.
- 24.3 *Wet Sieve Analysis:*
- 24.3.1 Add 2600 mL tap water to the mixer bowl, return to the mixer, and attach the wire whip.
- 24.3.2 Weigh 800 g of quicklime, in increments of 80 g, into ten tin containers.
- 24.3.3 Lower the wire whip, turn on the mixer, and add one of the increments. Lower the shield. Let stir for 3 min.
- 24.3.4 Continue adding the 80-g increments every 3 min. until 10 min. have lapsed. At 10 min., stop the mixer for 30 sec. and record the temperature of the slurry. After 30 sec., restart the mixer and mix the slurry for 2 min. to complete the 3 min. cycle of the last added increment.
- 24.3.5 Add the next increment. Continue the cycle of adding the 80-g increments every 3 min. and stopping every 10 min. for 30 sec. to read the temperature, until all the quicklime is mixed.
- 24.3.6 When finished, take the bowl out of the mixer and rinse the wire whip.
- 24.3.7 Weigh the No. 6 sieve on a top loading balance. Record the weight of the sieve to the nearest 0.1 g.
- 24.3.8 Using tap water, wash the reacted sample onto a No. 6 sieve. Ensure that none of the slurry sample is lost over the sides of the sieve. Use a water pressure gauge to maintain 14–18 psi water pressure.  
**Note 35**—Apply the wash water in a fantail spray pattern from the 3/8 in. ID plastic tubing fitted with a Bunsen “fan-type” burner attachment at the outlet.
- 24.3.9 Continue to wash the sample for 30 min. or until the wash water is clear, whichever occurs first.
- 24.3.10 After washing, place the sieve in a drying oven at a temperature of  $212 \pm 4^\circ\text{F}$  ( $100 \pm 2^\circ\text{C}$ ) for 1 hr.

- 24.3.11 After drying, cool the sieve to room temperature and weigh it on a top loading balance to the nearest 0.1 g.

## 25. CALCULATIONS

- 25.1 Calculate Unhydrated Lime Content, % CaO:

$$\% \text{ CaO} = \frac{2.804 V N}{\text{sample wt.}}$$

Where:

V = volume of hydrochloric acid, mL

N = normality of hydrochloric acid

sample wt. = weight of quicklime used for titration, g.

- 25.2 Calculate the percent of the quicklime retained on each sieve. This calculation applies to both wet and dry sieve analysis. Report values to the nearest whole percent:

$$\% \text{ retained} = \frac{\text{residue retained}}{\text{quicklime sample wt.}} \times 100$$

Where:

% retained = weight percent of residue retained on the sieve

residue retained = weight of residue retained on the sieve, g

quicklime sample wt. = weight of the quicklime sample being sieved, g.

## PART V—TESTING CARBIDE LIME SLURRY

### 26. SCOPE

- 26.1 This part discusses the method for testing high-calcium type carbide lime slurry and assumes that the principal constituents present in the lime are:

- calcium hydroxide,
- water,
- calcium carbonate, and
- inert matter such as silica dioxide.

### 27. APPARATUS

- 27.1 *Equipment*, listed under Part II, Section 6.
- 27.2 *Eyedropper*, large bore polyethylene.

- 27.3            *Weight-per-gallon cup, stainless steel, with tare weight.*
- 27.4            *Polyethylene bottles with screw caps, 1 pt.*
- 27.5            *Glass rod.*
- 27.6            *Beaker, 2000 mL.*
- 

## 28.            REAGENTS AND SOLUTIONS

- 28.1            Use chemical reagents and solutions listed for the testing of bulk hydrate or powdered lime in Part III, Sections 7 and 8, of this method.
- 

## 29.            SAMPLE PREPARATION

### 29.1            *Carbide Lime Slurry Sample Preparation:*

- 29.1.1          Set the slurry jug in a roller and agitate for 3–4 hr.
- 29.1.2          Use a glass rod to determine if the lime sample is in suspension. If any lime remains caked on the bottom or sides, place the slurry jug back on the roller and agitate.
- 29.1.3          When the slurry is well mixed, pour a representative sample in a 1-pt. polyethylene bottle with a screw top.
- Note 36**—Clean the threaded portion of the bottles and the inside threads of the cap. If slurry remains on these places, the seal will not be airtight and the slurry may dehydrate.

### 29.2            *Determining Bulk Density:*

- 29.2.1          Weigh a clean and empty weight-per-gallon cup on a top loading balance. Tare the weight of the cup.
- 29.2.2          Shake the 1-pt. bottle of slurry vigorously for 1 min. Rapidly pour the slurry from the 1-pt. bottle into the weight-per-gallon cup. Fill the cup to just below the top rim.
- 29.2.3          Tap the bottom of the filled cup against a hard surface to remove air bubbles.
- 29.2.4          Place the lid on the cup, gently pressing it into place. Excess slurry will flow out the small center opening in the top.
- Note 37**—If slurry does not flow out of the opening, use additional slurry. Agitate the sample before adding more slurry.
- 29.2.5          Carefully wipe off all of the excess slurry from the outside of the cup and lid.
- 29.2.6          Place the weight-per-gallon cup on a top loader balance. Weigh the cup and its contents to the nearest 0.1 g.
- Note 38**—Make sure the tared weight remains displayed on the balance just before measuring the weight of the filled cup.

29.2.7 Divide the result by 10. Report this value as the bulk density of the slurry.

29.3 *Calculations:*

29.3.1 Calculate bulk density:

$$BD = \frac{(\text{slurry wt.})}{10}$$

Where:

BD = bulk density, lb./gal.

slurry wt. = weight of the slurry in the weight-per-gallon cup, g.

29.4 *Determination of Sample Size:*

29.4.1 Refer to Part III, Section 16.3.

---

## 30. TESTING PROCEDURES

30.1 *Titration to pH 8.3:*

30.1.1 Determine the sample size using the method indicated in Section 29.4.

30.1.2 Tare a 400-mL tall-form beaker on an analytical balance.

30.1.3 Agitate the 1-pt. bottle for 1 min. Pour the required weight of slurry sample, as determined above, into the 400-mL tall-form beaker. Record the weight of the sample to the nearest 0.0001 g.

30.1.4 Slowly add enough deionized water to bring the volume of mixture to 150 mL. Add a stirring magnet, place the beaker on a magnetic stirrer, and stir the sample.

30.1.5 Calibrate the pH meter using the 4.0 and 9.0 buffer solutions.

30.1.6 Fill the 100-mL buret with 1.0 N hydrochloric acid.

30.1.7 Insert the pH meter probe into the sample. Begin titrating the sample with 1.0 N hydrochloric acid. Add the hydrochloric acid at a rapid drop rate to obtain a pH indication of 9 or slightly less.

**Note 39**—A suitable rapid drop rate is approximately 12 mL/min.

30.1.8 After reaching a momentary pH of 9, decrease the rate of titration to approximately 2 mL/min. Continue at this rate until the pH is close to 8.5.

30.1.9 Once the pH is close to 8.5, add acid in 4-drop increments until maintaining a pH of 8.3 or less for approximately 35 sec.

30.1.10 Then add 2-drop increments until the endpoint of 8.3 or slightly less persists for 60 sec.



**Note 40**—The endpoint for the titration to pH 8.3 occurs when the addition of one 2-drop increment of titrant produces a pH of 8.3 or slightly less, for exactly 60 sec.

30.1.11 Record the volume of titrant used to reach the endpoint.

30.1.12 Add excess hydrochloric acid to the sample. Record the total volume of acid added to the sample.

**Note 41**—The sample mixture contains a “measured excess” of hydrochloric acid.

30.2 *Back-Titration to pH 4.4:*

30.2.1 Fill a 50-mL buret with 1.0 N sodium hydroxide solution.

30.2.2 Titrate the sample mixture with 1.0 N sodium hydroxide to the endpoint. The endpoint occurs when a pH of 4.4 or slightly greater occurs exactly 10 sec. after a one-drop addition of titrant.

30.2.3 Record the volume of sodium hydroxide used to reach the endpoint.

30.3 *Loss on Ignition:*

30.3.1 Weigh a crucible using an analytical balance, record the weight, and tare the balance.

30.3.2 Determine the required slurry sample size from Section 28.4. Weigh the determined amount of slurry into the tared crucible. Record the weight of the sample to the nearest 0.0001 g.

30.3.3 Place the platinum crucible with slurry into a  $212 \pm 4^\circ\text{F}$  ( $100 \pm 2^\circ\text{C}$ ) drying oven for 1 hr.

30.3.4 Remove sample from oven and place in a muffle furnace at  $2,000 \pm 20^\circ\text{F}$  ( $1093 \pm 11^\circ\text{C}$ ) for a minimum 2 hr.

30.3.5 Use the long tongs to remove the crucible from the muffle furnace. Place the crucible on a hard-surfaced asbestos board. Allow the crucible to cool on the board for 10–30 sec.

30.3.6 Transfer the crucible to a vacuum desiccator for cooling. Allow 20 min. for cooling.

**Note 42**—If running several samples simultaneously, transfer the samples to the desiccator and replace the lid with the vacuum stopcock open. The heated air will expand through the opening for several seconds. Then close the stopcock.

30.3.7 After the sample has cooled, remove the sample from the desiccator. Weigh the crucible on an analytical balance as rapidly as possible to minimize hydration of residue. Record the weight to the nearest 0.0001 g.

30.4 *Sieve Analysis:*

30.4.1 Weigh a 2000-mL glass beaker on a top-loading balance, record the weight to the nearest 0.1 g, and tare the balance.

- 30.4.2 Pour 2 qt. of the well-mixed slurry from the 2-gal. polyethylene bottle into the beaker. Weigh the beaker with the slurry on the balance and record the weight to the nearest 0.1 g.
- 30.4.3 Weigh a No. 6 and a No. 30 sieve on a top loading balance. Record the weights to the nearest 0.1 g.
- 30.4.4 Wash the slurry through the nested No. 6 and No. 30 sieves using regular tap water.  
**Note 43**—Apply the wash water in a fantail spray pattern from the 3/8-in. ID plastic tubing fitted with a Bunsen “fan-type” burner attachment at the outlet. Monitor the water pressure with a water gauge at  $12 \pm 0.3$  psi.
- 30.4.5 Continue washing the sample for 30 min. or until the water coming through the sieve is clear, whichever occurs first.
- 30.4.6 Oven-dry the residue on each sieve for 1 hr. at  $212 \pm 4^\circ\text{F}$  ( $100 \pm 2^\circ\text{C}$ ).
- 30.4.7 Remove the sieves from the oven and allow them to cool for 20 min. Weigh each sieve on a top loading balance. Record the weight to the nearest 0.1 g.

## 31. CALCULATIONS

### 31.1 *Percent Solids:*

- 31.1.1 Calculate all factors A through H and J. Then use the following equation to calculate percent solids:

$$\% \text{ Solids} = \frac{100 - J}{100}$$

Where:

J = free water of the sample, %.

- 31.1.2 Calculate A, apparent hydrate alkalinity of the sample calculated as percent calcium oxide:

$$A = \frac{2.8054(\text{mL of HCl to 8.3})}{\text{sample wt.}}$$

Where:

mL of HCl to 8.3 = amount of hydrochloric acid used to reach 8.3 pH endpoint, mL

sample wt. = the weight of the sample used in the titration.

- 31.1.3 Calculate *B*, carbonate alkalinity of the sample derived by titration and calculated as percent calcium oxide:

$$B = C - A = (\text{total alkalinity}) - (\text{apparent hydrate alkalinity, CaO})$$

Where:

*C* = total alkalinity of the sample calculated as percent calcium oxide

*A* = apparent alkalinity of the sample indicated by titration calculated as percent calcium oxide.

- 31.1.4 Calculate *C*, total alkalinity of the sample calculated as percent calcium oxide:

$$C = \frac{2.8054(\text{total mL of HCl} - \text{mL of NaOH to 4.4})}{\text{sample wt.}}$$

Where:

total mL of HCl = amount of hydrochloric acid used, including “measured excess,” mL

mL of NaOH to 4.4 = amount of sodium hydroxide in milliliters used to reach 4.4 pH end point

sample wt. = titration sample weight, g.

- 31.1.5 Calculate *D*, apparent hydrate alkalinity indicated by titration of the sample expressed as percent calcium hydroxide:

$$D = (1.32126) A = (1.32126)(\text{apparent hydrate alkalinity, CaO})$$

Where:

*A* = apparent hydrate alkalinity of the sample calculated as percent calcium oxide.

- 31.1.6 Calculate *E*, carbonate alkalinity of the sample calculated as percent carbon dioxide:

$$E = (0.78479) B = (0.78479)(\text{carbonate alkalinity, CaO})$$

Where:

*B* = carbonate alkalinity of the sample derived by titration and calculated as percent calcium oxide.

31.1.7 Calculate  $F$ , loss on ignition:

$$F = \frac{(\text{sample wt.} - \text{residue wt.})100}{\text{sample wt.}}$$

Where:

sample wt. = original weight of the loss on ignition sample, g

residue wt. = weight of the residue after the loss on ignition test, g.

31.1.8 Calculate  $G$ , total water of the sample expressed in percent:

$$G = F - E = (\text{loss on ignition}) - (\text{carbonate alkalinity, } CO_2)$$

Where:

$F$  = loss on ignition

$E$  = carbonate alkalinity of the sample calculated as percent carbon dioxide.

31.1.9 Calculate  $H$ , apparent hydrate alkalinity of the sample indicated by the total water portion of the loss on ignition and expressed as percent calcium hydroxide:

$$H = (4.1128)G = (4.1128)(\text{total water})$$

Where:

$G$  = total water of the sample, %.

31.1.10 Calculate  $J$ , free water of the sample, %:

$$J = 0.24314(H - D)$$

$$J = (0.24314)(\text{apparent hydrate alkalinity, total water} - \text{apparent hydrate alkalinity, titration})$$

Where:

$H$  = apparent hydrate alkalinity indicated by the total water portion of the loss on ignition

$D$  = apparent hydrate alkalinity indicated by titration of the sample expressed as percent calcium hydroxide.

31.2 Calculate carbide lime slurry alkalinity, % Ca(OH)<sub>2</sub>:

$$\% \text{ Ca(OH)}_2 = \frac{D}{\% \text{ solids}} = \frac{(\text{apparent hydrate alkalinity, titration})}{\% \text{ solids}}$$

Where:

D = apparent hydrate alkalinity of the sample indicated by titration and expressed as percent calcium hydroxide.

**Note 44**—D is the same value calculated for the percent solids determination.

31.3 Calculate loss on ignition:

$$\text{LOI} = \frac{(\text{sample wt.} - \text{residue wt.}) 100}{\text{sample wt.}}$$

Where:

sample wt. = original weight of the loss on ignition sample, g

residue wt. = weight of the residue after the loss on ignition test, g.

**Note 45**—This is the same calculation used for factor F in the percent solids determination.

31.4 Calculate residue retained by sieve analysis, %:

$$\% \text{ retained} = \frac{\text{residue retained}}{(\text{sample wt.})(\% \text{ solids})} \times 100$$

Where:

% retained = weight percent of residue retained on the sieve

residue retained = weight of residue retained on the sieve, g

sample wt. = weight of the sample before being sieved, g

% solids = percent solids as calculated above.

## 32. ARCHIVED VERSIONS

32.1 Archived versions are available.

# Item 247

## Flexible Base



### 1. DESCRIPTION

Construct a foundation course composed of flexible base.

### 2. MATERIALS

Furnish uncontaminated materials of uniform quality that meet the requirements of the plans and specifications. Notify the Engineer of the proposed material sources and of changes to material sources. The Engineer may sample and test project materials at any time before compaction throughout the duration of the project to assure specification compliance. Use Tex-100-E material definitions.

- 2.1. **Aggregate.** Furnish aggregate of the type and grade shown on the plans and meeting the requirements of Table 1. Each source must meet Table 1 requirements for liquid limit, plasticity index, and wet ball mill for the grade specified. Do not use additives, such as but not limited to lime, cement, or fly ash to modify aggregates to meet the requirements of Table 1 unless shown on the plans.

**Table 1**  
**Material Requirements**

Property	Test Method	Grade 1-2	Grade 3	Grade 4 <sup>2</sup>	Grade 5
Sampling	Tex-400-A				
Master gradation sieve size (cumulative % retained)	Tex-110-E			As shown on the plans	
2-1/2"		0	0		0
1-3/4"		0-10	0-10		0-5
7/8"		10-35	-		10-35
3/8"		30-65	-		35-65
#4		45-75	45-75		45-75
#40	65-90	50-85	70-90		
Liquid Limit, % Max	Tex-104-E	40	40	As shown on the plans	35
Plasticity Index, Max <sup>1</sup>	Tex-106-E	10	12	As shown on the plans	10
Plasticity index, Min <sup>1</sup>		As shown on the plans	As shown on the plans	As shown on the plans	As shown on the plans
Wet ball mill, % Max	Tex-116-E	40	-	As shown on the plans	40
Wet ball mill, % Max increase passing the #40 sieve		20	-	As shown on the plans	20
Min compressive strength, psi	Tex-117-E			As shown on the plans	
lateral pressure 0 psi		35	-		-
lateral pressure 3 psi		-	-		90
lateral pressure 15 psi		175	-		175

- Determine plastic index in accordance with Tex-107-E (linear shrinkage) when liquid limit is unattainable as defined in Tex-104-E.
- Grade 4 may be further designated as Grade 4A, Grade 4B, etc.

- 2.1.1. **Material Tolerances.** The Engineer may accept material if no more than 1 of the 5 most recent gradation tests has an individual sieve outside the specified limits of the gradation.

When target grading is required by the plans, no single failing test may exceed the master grading by more than 5 percentage points on sieves No. 4 and larger or 3 percentage points on sieves smaller than No. 4.

The Engineer may accept material if no more than 1 of the 5 most recent plasticity index tests is outside the specified limit. No single failing test may exceed the allowable limit by more than 2 points.

- 2.1.2. **Material Types.** Do not use fillers or binders unless approved. Furnish the type specified on the plans in accordance with the following:
- 2.1.2.1. **Type A.** Crushed stone produced and graded from oversize quarried aggregate that originates from a single, naturally occurring source. Do not use gravel or multiple sources.
- 2.1.2.2. **Type B.** Crushed or uncrushed gravel. Blending of 2 or more sources is allowed.
- 2.1.2.3. **Type C.** Crushed gravel with a minimum of 60% of the particles retained on a No. 4 sieve with 2 or more crushed faces as determined by Tex-460-A, Part I. Blending of 2 or more sources is allowed.
- 2.1.2.4. **Type D.** Type A material or crushed concrete. Crushed concrete containing gravel will be considered Type D material. Crushed concrete must meet the requirements in Section 247.2.1.3.2., "Recycled Material (Including Crushed Concrete) Requirements," and be managed in a way to provide for uniform quality. The Engineer may require separate dedicated stockpiles in order to verify compliance.
- 2.1.2.5. **Type E.** Caliche, iron ore or as otherwise shown on the plans.
- 2.1.3. **Recycled Material.** Reclaimed asphalt pavement (RAP) and other recycled materials may be used when shown on the plans. Request approval to blend 2 or more sources of recycled materials.
- 2.1.3.1. **Limits on Percentage.** Do not exceed 20% RAP by weight, when RAP is allowed, unless otherwise shown on the plans. The percentage limitations for other recycled materials will be as shown on the plans.
- 2.1.3.2. **Recycled Material (Including Crushed Concrete) Requirements.**
- 2.1.3.2.1. **Contractor-Furnished Recycled Materials.** Provide recycled materials, other than RAP, that have a maximum sulfate content of 3,000 ppm when tested in accordance with Tex-145-E. When the Contractor furnishes the recycled materials, including crushed concrete, the final product will be subject to the requirements of Table 1 for the grade specified. Certify compliance with DMS-11000, "Evaluating and Using Nonhazardous Recyclable Materials Guidelines," for Contractor furnished recycled materials. In addition, recycled materials must be free from reinforcing steel and other objectionable material and have at most 1.5% deleterious material when tested in accordance with Tex-413-A. For RAP, do not exceed a maximum percent loss from decantation of 5.0% when tested in accordance with Tex-406-A. Test RAP without removing the asphalt.
- 2.1.3.2.2. **Department-Furnished Required Recycled Materials.** When the Department furnishes and requires the use of recycled materials, unless otherwise shown on the plans:
- Department-required recycled material will not be subject to the requirements in Table 1,
  - Contractor-furnished materials are subject to the requirements in Table 1 and this Item,
  - the final product, blended, will be subject to the requirements in Table 1, and
  - for final product, unblended (100% Department-furnished required recycled material), the liquid limit, plasticity index, wet ball mill, and compressive strength is waived.
- Crush Department-furnished RAP so that 100% passes the 2 in. sieve. The Contractor is responsible for uniformly blending to meet the percentage required.
- 2.1.3.2.3. **Department-Furnished and Allowed Recycled Materials.** When the Department furnishes and allows the use of recycled materials or allows the Contractor to furnish recycled materials, the final blended product is subject to the requirements of Table 1 and the plans.

- 2.1.3.3. **Recycled Material Sources.** Department-owned recycled material is available to the Contractor only when shown on the plans. Return unused Department-owned recycled materials to the Department stockpile location designated by the Engineer unless otherwise shown on the plans.

The use of Contractor-owned recycled materials is allowed when shown on the plans. Contractor-owned surplus recycled materials remain the property of the Contractor. Remove Contractor-owned recycled materials from the project and dispose of them in accordance with federal, state, and local regulations before project acceptance. Do not intermingle Contractor-owned recycled material with Department-owned recycled material unless approved.

- 2.2. **Water.** Furnish water free of industrial wastes and other objectionable matter.
- 2.3. **Material Sources.** Expose the vertical faces of all strata of material proposed for use when non-commercial sources are used. Secure and process the material by successive vertical cuts extending through all exposed strata, when directed.

---

### 3. EQUIPMENT

Provide machinery, tools, and equipment necessary for proper execution of the work.

- 3.1. Provide rollers in accordance with Item 210, "Rolling." Provide proof rollers in accordance with Item 216, "Proof Rolling," when required.
- 3.2. When ride quality measurement is required, provide a high speed or lightweight inertial profiler certified at the Texas A&M Transportation Institute. Provide equipment certification documentation. Display a current decal on the equipment indicating the certification expiration date.

---

### 4. CONSTRUCTION

Construct each layer uniformly, free of loose or segregated areas, and with the required density and moisture content. Provide a smooth surface that conforms to the typical sections, lines, and grades shown on the plans or as directed.

Stockpile base material temporarily at an approved location before delivery to the roadway. Build stockpiles in layers no greater than 2 ft. thick. Stockpiles must have a total height between 10 and 16 ft. unless otherwise approved. After construction and acceptance of the stockpile, loading from the stockpile for delivery is allowed. Load by making successive vertical cuts through the entire depth of the stockpile.

Do not add or remove material from temporary stockpiles that require sampling and testing before delivery unless otherwise approved. Charges for additional sampling and testing required as a result of adding or removing material will be deducted from the Contractor's estimates.

Haul approved flexible base in clean trucks. Deliver the required quantity to each 100-ft. station or designated stockpile site as shown on the plans. Prepare stockpile sites as directed. When delivery is to the 100-ft. station, manipulate in accordance with the applicable Items.

- 4.1. **Preparation of Subgrade or Existing Base.** Remove or scarify existing asphalt concrete pavement in accordance with Item 105, "Removing Treated and Untreated Base and Asphalt Pavement," when shown on the plans or as directed. Shape the subgrade or existing base to conform to the typical sections shown on the plans or as directed.

When new base is required to be mixed with existing base, deliver, place, and spread the new flexible base in the required amount per station. Manipulate and thoroughly mix the new base with existing material to provide a uniform mixture to the specified depth before shaping.



Proof roll the roadbed in accordance with Item 216, "Proof Rolling," before pulverizing or scarifying when shown on the plans or directed. Correct soft spots as directed.

- 4.2. **Placing.** Spread and shape flexible base into a uniform layer with an approved spreader the same day as delivered unless otherwise approved. Construct layers to the thickness shown on the plans. Maintain the shape of the course. Control dust by sprinkling, as directed. Correct or replace segregated areas as directed, at no additional expense to the Department.

Place successive base courses and finish courses using the same construction methods required for the first course.

- 4.3. **Compaction.** Compact using density control unless otherwise shown on the plans. Multiple lifts are permitted when shown on the plans or approved. Bring each layer to the moisture content directed. When necessary, sprinkle the material in accordance with Item 204, "Sprinkling."

Begin rolling longitudinally at the sides and proceed towards the center, overlapping on successive trips by at least 1/2 the width of the roller unit. Begin rolling at the low side and progress toward the high side on superelevated curves. Offset alternate trips of the roller. Operate rollers at a speed between 2 and 6 mph as directed.

Rework, recompact, and refinish material that fails to meet or that loses required moisture, density, stability, or finish requirements before the next course is placed or the project is accepted. Continue work until specification requirements are met. Perform the work at no additional expense to the Department.

Before final acceptance, the Engineer will select the locations of tests and measure the flexible base depth in accordance with Tex-140-E. Correct areas deficient by more than 1/2 in. in thickness by scarifying, adding material as required, reshaping, recompacting, and refinishing at the Contractor's expense.

- 4.3.1. **Ordinary Compaction.** Roll with approved compaction equipment as directed. Correct irregularities, depressions, and weak spots immediately by scarifying the areas affected, adding or removing approved material as required, reshaping, and recompacting.

- 4.3.2. **Density Control.** Compact to at least 100% of the maximum dry density determined by Tex-113-E, unless otherwise shown on the plans. Maintain moisture during compaction within  $\pm 2$  percentage points of the optimum moisture content as determined by Tex-113-E. Measure the moisture content of the material in accordance with Tex-115-E or Tex-103-E during compaction daily and report the results the same day to the Engineer, unless otherwise shown on the plans or directed. Do not achieve density by drying the material after compaction.

The Engineer will determine roadway density and moisture content of completed sections in accordance with Tex-115-E. The Engineer may accept the section if no more than 1 of the 5 most recent density tests is below the specified density and the failing test is no more than 3 pcf below the specified density.

- 4.4. **Finishing.** After completing compaction, clip, skin, or tight-blade the surface with a maintainer or subgrade trimmer to a depth of approximately 1/4 in. Remove loosened material and dispose of it at an approved location. Seal the clipped surface immediately by rolling with a pneumatic tire roller until a smooth surface is attained. Add small increments of water as needed during rolling. Shape and maintain the course and surface in conformity with the typical sections, lines, and grades as shown on the plans or as directed.

Correct grade deviations greater than 1/4 in. in 16 feet measured longitudinally or greater than 1/4 in. over the entire width of the cross-section in areas where surfacing is to be placed. Correct by loosening and adding, or removing material. Reshape and re-compact in accordance with Section 247.4.3., "Compaction."

- 4.5. **Curing.** Cure the finished section until the moisture content is at least 2 percentage points below optimum or as directed before applying the next successive course or prime coat.

- 4.6. **Ride Quality.** This section applies to the final travel lanes that receive a 1 or 2 course surface treatment for the final surface, unless otherwise shown on the plans. Measure ride quality of the base course after placement of the prime coat and before placement of the surface treatment, unless otherwise approved. Use a certified profiler operator from the Department's MPL. When requested, furnish the Engineer documentation for the person certified to operate the profiler.

Provide all profile measurements to the Engineer in electronic data files within 3 days after placement of the prime coat using the format specified in Tex-1001-S. The Engineer will use Department software to evaluate longitudinal profiles to determine areas requiring corrective action. Correct 0.1-mi.sections having an average international roughness index (IRI) value greater than 100.0 in. per mile to an IRI value of 100.0 in. per mile or less for each wheel path, unless otherwise shown on the plans.

Re-profile and correct sections that fail to maintain ride quality until placement of the next course, as directed. Correct re-profiled sections until specification requirements are met, as approved. Perform this work at no additional expense to the Department.

---

## 5. MEASUREMENT

Flexible base will be measured as follows:

- **Flexible Base (Complete In Place).** The ton, square yard, or any cubic yard method.
- **Flexible Base (Roadway Delivery).** The ton or any cubic yard method.
- **Flexible Base (Stockpile Delivery).** The ton, cubic yard in vehicle, or cubic yard in stockpile.

Measurement by the cubic yard in final position and square yard is a plans quantity measurement. The quantity to be paid for is the quantity shown in the proposal unless modified by Article 9.2., "Plans Quantity Measurement." Additional measurements or calculations will be made if adjustments of quantities are required.

Measurement is further defined for payment as follows.

- 5.1. **Cubic Yard in Vehicle.** By the cubic yard in vehicles of uniform capacity at the point of delivery.
- 5.2. **Cubic Yard in Stockpile.** By the cubic yard in the final stockpile position by the method of average end areas.
- 5.3. **Cubic Yard in Final Position.** By the cubic yard in the completed and accepted final position. The volume of base course is computed in place by the method of average end areas between the original subgrade or existing base surfaces and the lines, grades, and slopes of the accepted base course as shown on the plans.
- 5.4. **Square Yard.** By the square yard of surface area in the completed and accepted final position. The surface area of the base course is based on the width of flexible base as shown on the plans.
- 5.5. **Ton.** By the ton of dry weight in vehicles as delivered. The dry weight is determined by deducting the weight of the moisture in the material at the time of weighing from the gross weight of the material. The Engineer will determine the moisture content in the material in accordance with Tex-103-E from samples taken at the time of weighing.

When material is measured in trucks, the weight of the material will be determined on certified scales, or the Contractor must provide a set of standard platform truck scales at a location approved by the Engineer. Scales must conform to the requirements of Item 520, "Weighing and Measuring Equipment."

---

## 6. PAYMENT

The work performed and materials furnished in accordance with this Item and measured as provided under "Measurement" will be paid for at the unit price bid for the types of work shown below. No additional payment

will be made for thickness or width exceeding that shown on the typical section or provided on the plans for cubic yard in the final position or square yard measurement.

Sprinkling and rolling, except proof rolling, will not be paid for directly but will be subsidiary to this Item unless otherwise shown on the plans. When proof rolling is shown on the plans or directed, it will be paid for in accordance with Item 216, "Proof Rolling."

Where subgrade is constructed under this Contract, correction of soft spots in the subgrade will be at the Contractor's expense. Where subgrade is not constructed under this Contract, correction of soft spots in the subgrade will be paid in accordance with pertinent Items or Article 4.4., "Changes in the Work."

- 6.1. **Flexible Base (Complete In Place).** Payment will be made for the type and grade specified. For cubic yard measurement, "In Vehicle," "In Stockpile," or "In Final Position" will be specified. For square yard measurement, a depth will be specified. This price is full compensation for furnishing materials, temporary stockpiling, assistance provided in stockpile sampling and operations to level stockpiles for measurement, loading, hauling, delivery of materials, spreading, blading, mixing, shaping, placing, compacting, reworking, finishing, correcting locations where thickness is deficient, curing, furnishing scales and labor for weighing and measuring, and equipment, labor, tools, and incidentals.
- 6.2. **Flexible Base (Roadway Delivery).** Payment will be made for the type and grade specified. For cubic yard measurement, "In Vehicle," "In Stockpile," or "In Final Position" will be specified. The unit price bid will not include processing at the roadway. This price is full compensation for furnishing materials, temporary stockpiling, assistance provided in stockpile sampling and operations to level stockpiles for measurement, loading, hauling, delivery of materials, furnishing scales and labor for weighing and measuring, and equipment, labor, tools, and incidentals.
- 6.3. **Flexible Base (Stockpile Delivery).** Payment will be made for the type and grade specified. For cubic yard measurement, "In Vehicle" or "In Stockpile" will be specified. The unit price bid will not include processing at the roadway. This price is full compensation for furnishing and disposing of materials, preparing the stockpile area, temporary or permanent stockpiling, assistance provided in stockpile sampling and operations to level stockpiles for measurement, loading, hauling, delivery of materials to the stockpile, furnishing scales and labor for weighing and measuring, and equipment, labor, tools, and incidentals.